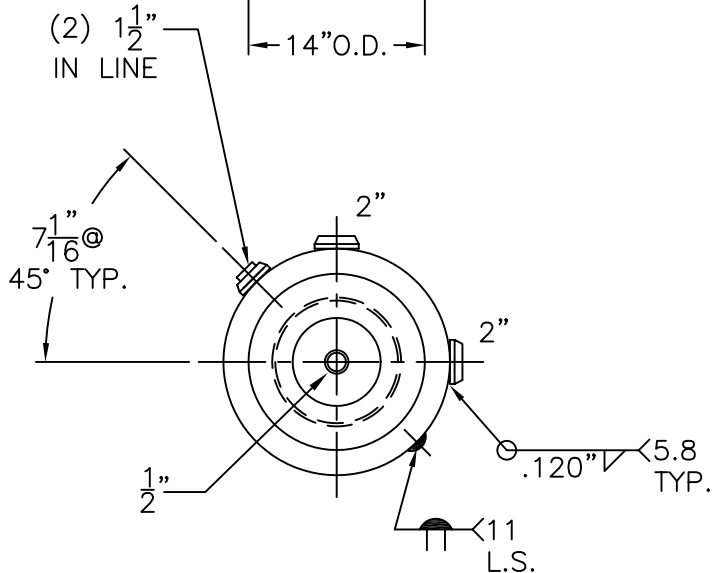
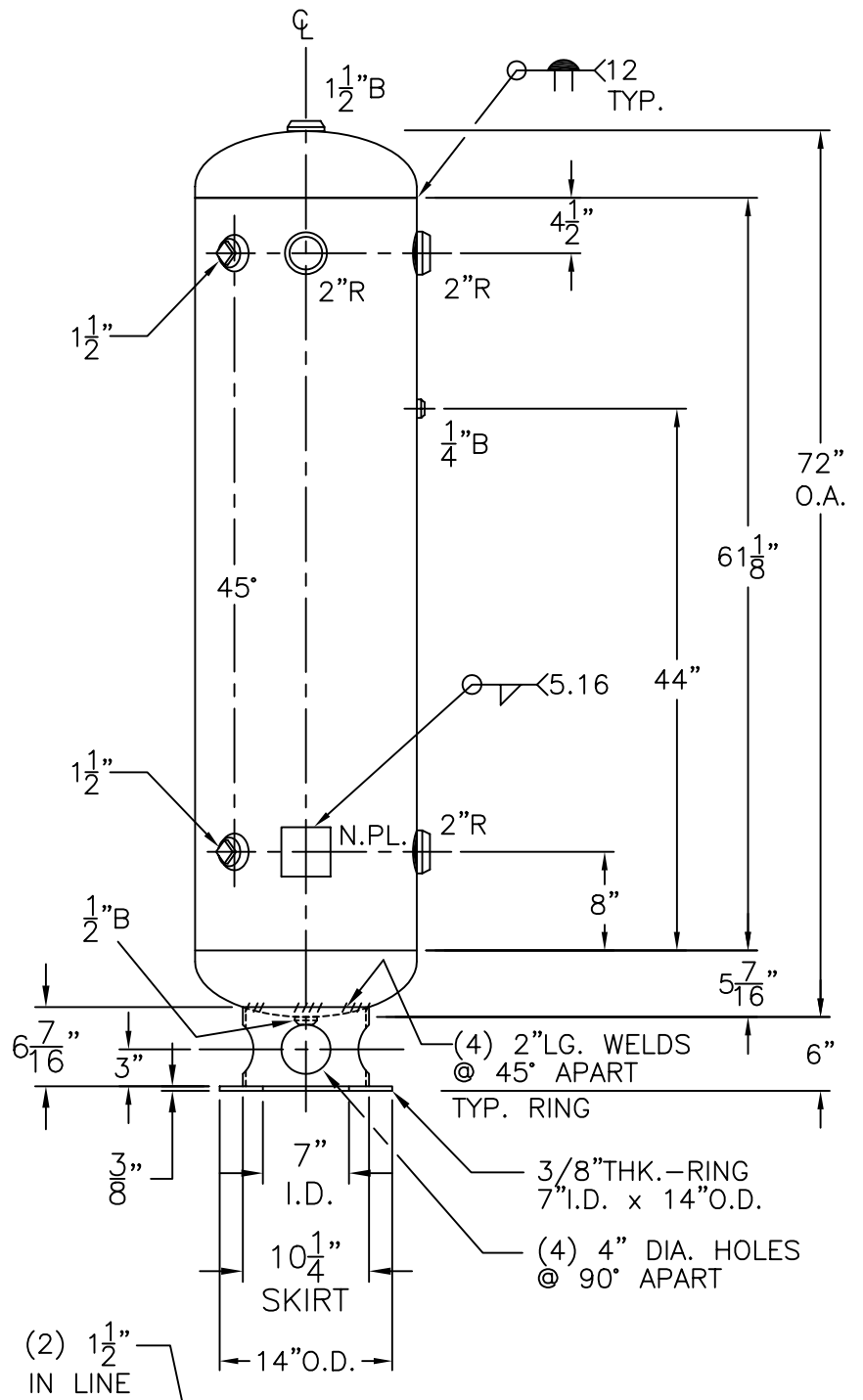


1 1/2" R W/ C.I. PLUG
 INSP. OPENING
 (2) PLC'S.



NOTE: 1) HYDRO @ 325 PSIG. MIN.

| SHELL / HEADS | |
|-------------------|-----------------------|
| .156" SA-414-G | 2:1 S.E. |
| JOGGLE | |
| .164" SA-414-G | |
| M.A.W.P. | 250 PSIG. @ 400 °F |
| M.D.M.T. | -20 °F @ 250 PSIG. |
| ASME SECTION VIII | DIV. 1, 2001 ADD 2002 |
| X-RAY: | RT-NO |
| GALLONS: | 73 |
| SERIAL NO. | WT. 231 LBS. |
| N.B. | |

| | |
|-------------------------------|-----------------|
| 18-VC-73-F | REV. 8-15-03 |
| FOR: HANSON STANDARD | DATE: 6-28-93 |
| VERT. AIR TANK | |
| INSIDE: UNPAINTED | |
| OUTSIDE: PRIME | |
| BY: J.G. | SCALE: 3/4"=12" |
| ROY F. HANSON JR. MFG. | |
| 1924 COMPTON AVE. | |
| LOS ANGELES, CA 90011 | |