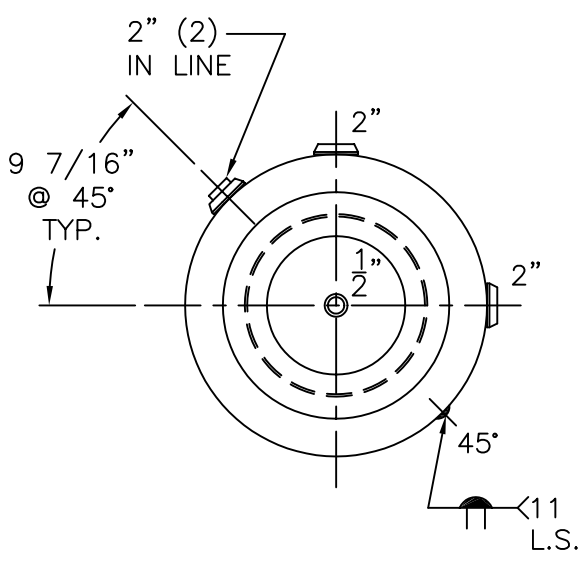
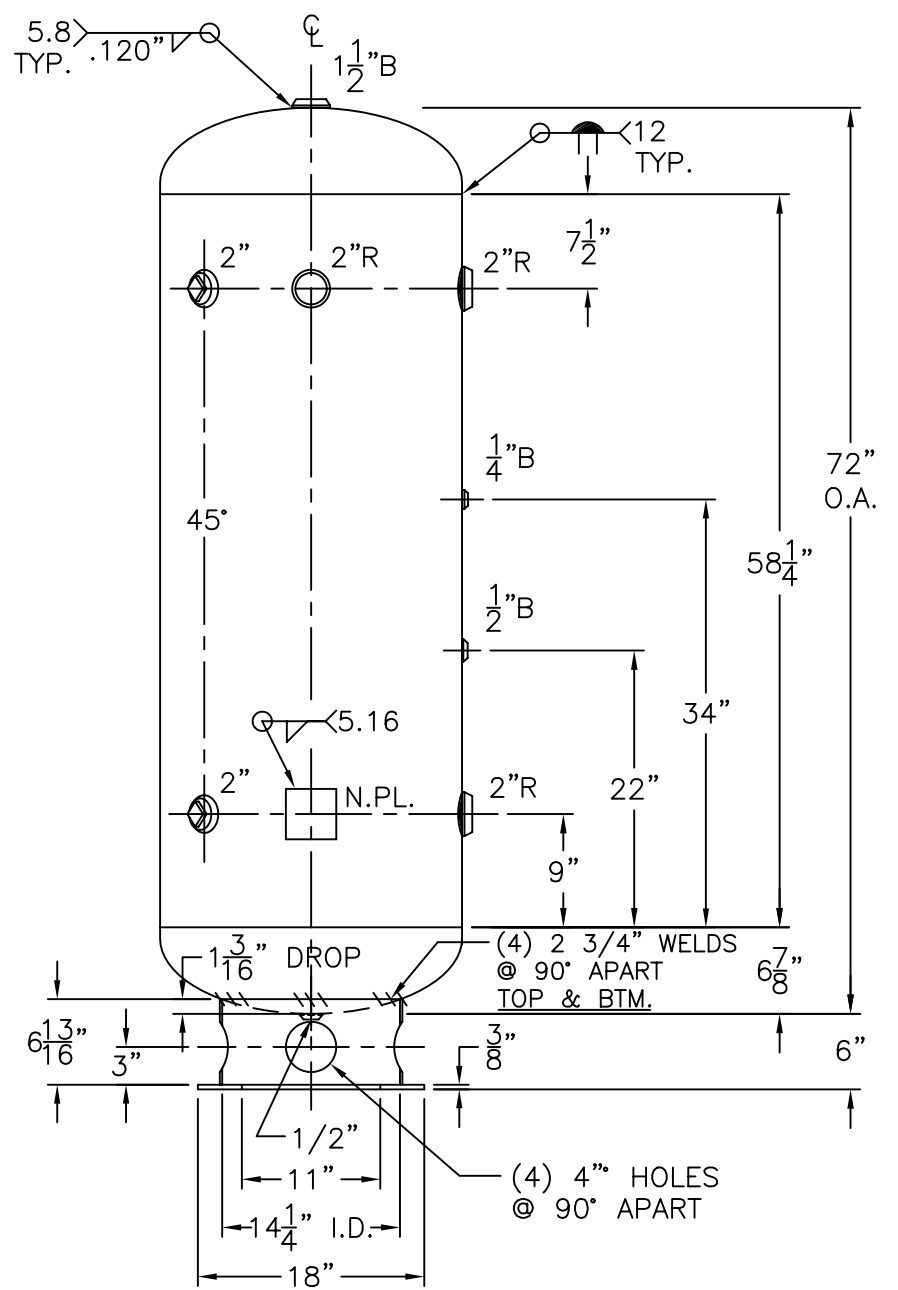


2"R W/ C.I. PLUG FOR INSPECTION OPENINGS (2) PLC'S.



NOTE: 1) HYDRO @ 390 PSIG. MIN.

SHELL / HEADS	
.200" SA-455	2.1: S.E.
(.195" MIN.) JOGGLE	
.200" SA-455	
M.A.W.P.	300 PSIG. @ 400 °F
M.D.M.T.	-20 °F @ 300 PSIG.
ASME: SECTION VIII	DIV. 1, 2001 ADD 2002
X-RAY:	RT-4 SPOT L.S. ONLY
GALLONS:	130
SERIAL NO.	WT. 390 LBS.
N.B.	

24-VD-130-F	REV. 7-24-03
FOR: HANSON STANDARD	DATE: 11-28-86
VERT. AIR TANK	
INSIDE: UNPAINTED	
OUTSIDE: PRIME	
BY: E.S.	SCALE: 3/4"=12"
<b>ROY F. HANSON JR. MFG.</b>	
1924 COMPTON AVE.	
LOS ANGELES, CA 90011	