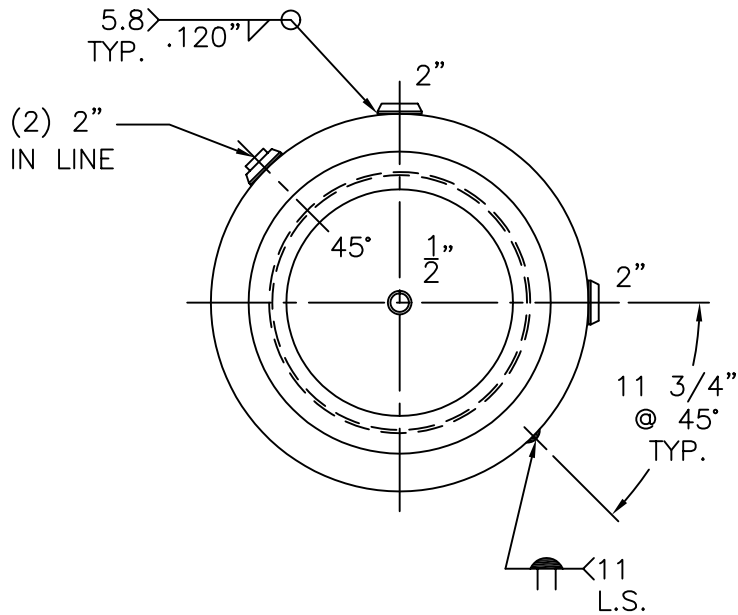
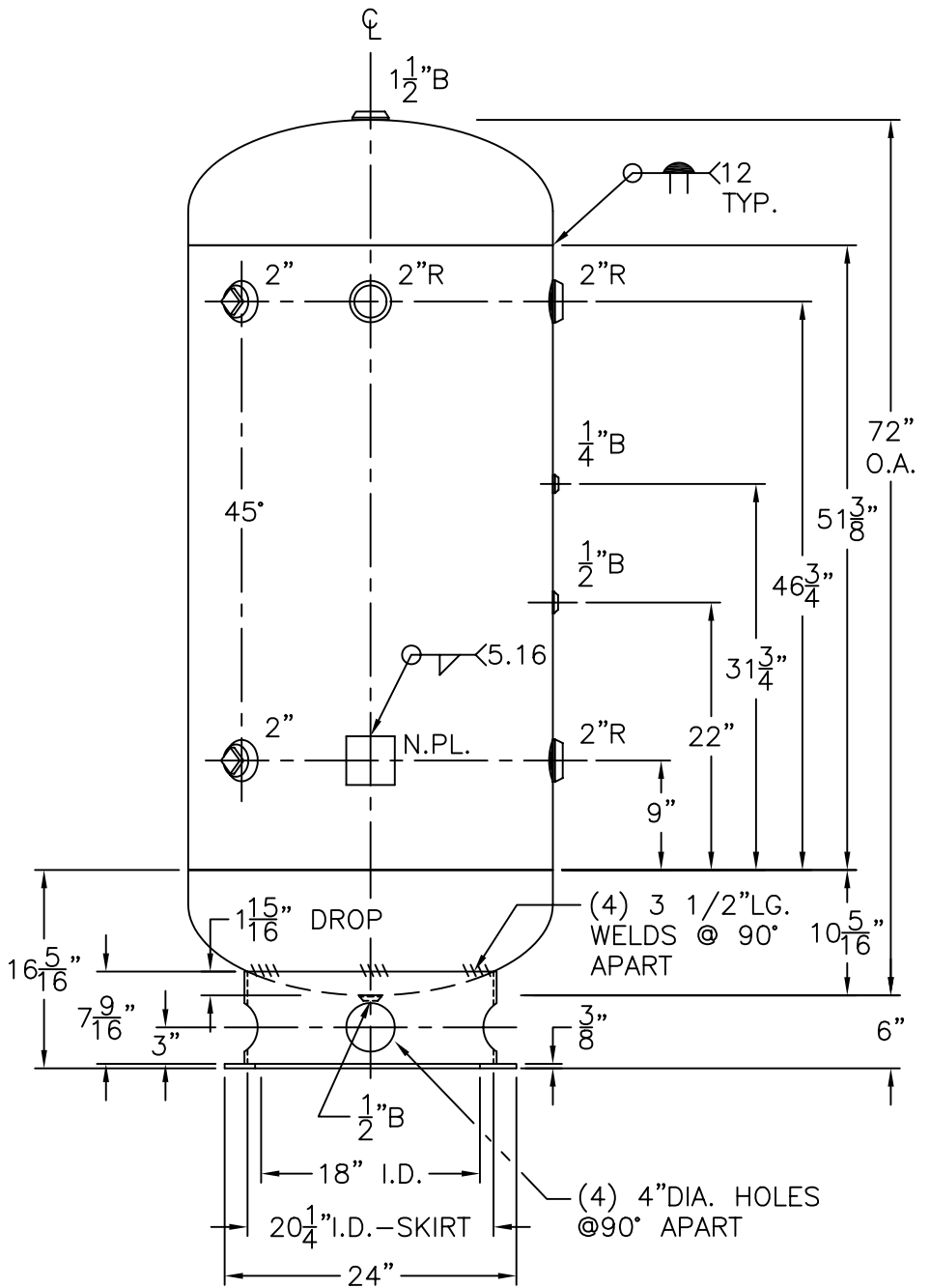


2"R W/ C.I. PLUG
INSP. OPENING
(2) PLC'S.



NOTE: 1) HYDRO @ 260 PSIG. MIN.

SHELL / HEADS	
.166" SA-414-G	2:1 S.E.
(.164" MIN.) JOGGLE	
GREEN STRIPE	
.165" SA-414-G	
M.A.W.P.	200 PSIG. @ 400 °F
M.D.M.T.	-20 °F @ 200 PSIG.
ASME SECTION VIII	DIV. 1, 2001 ADD 2003
X-RAY: RT-4 SPOT L.S.	
GALLONS: 200	WT. 409 LBS.
SERIAL NO.	
N.B.	

30-VA-200-F	REV. 2-5-04
FOR: HANSON STANDARD	DATE: 7-8-85
VERT. AIR TANK	
INSIDE: UNPAINTED	
OUTSIDE: PRIME	
BY: E.S.	SCALE: 3/4"=12"
ROY F. HANSON JR. MFG.	
1924 COMPTON AVE.	
LOS ANGELES, CA 90011	