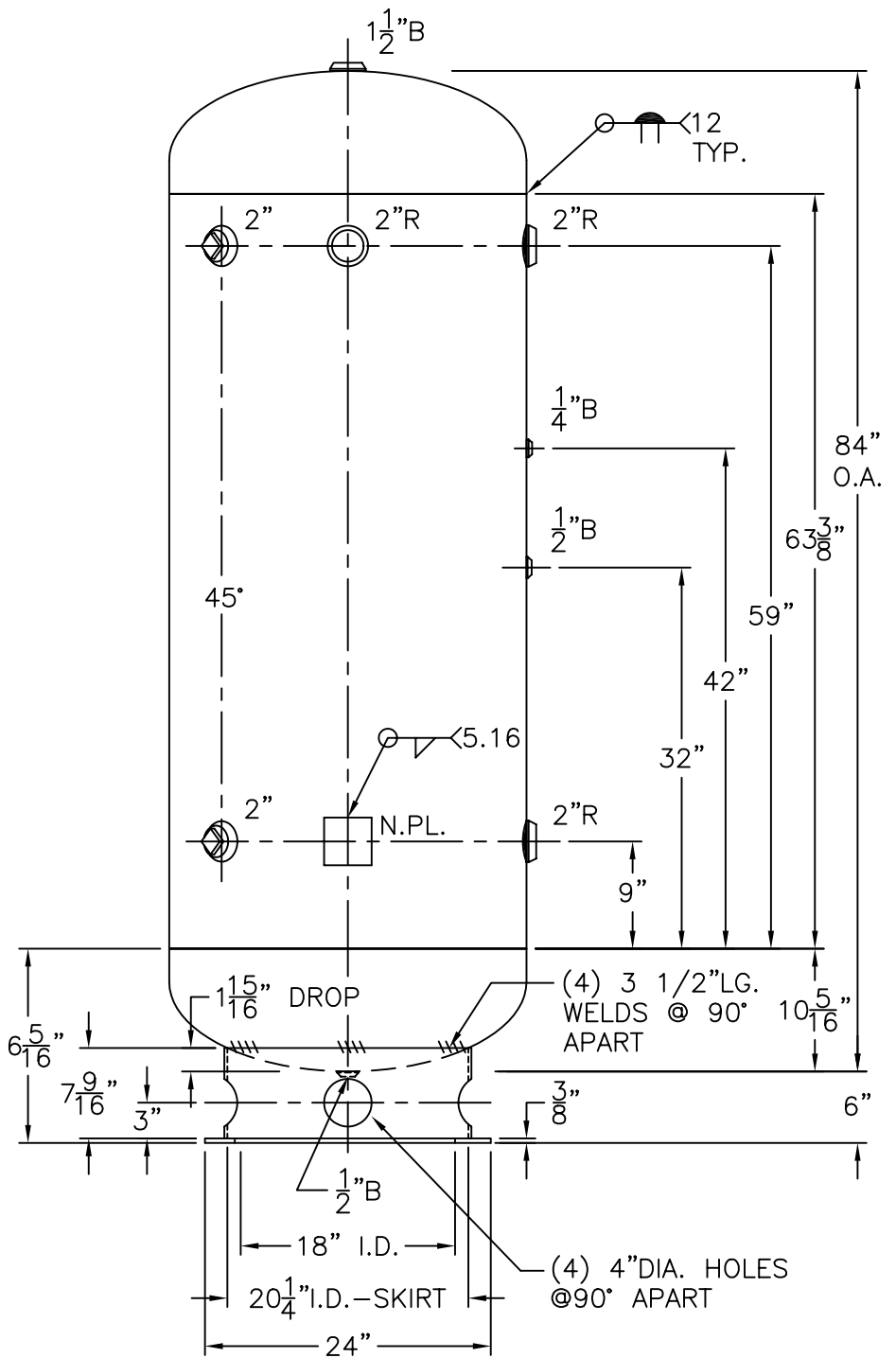
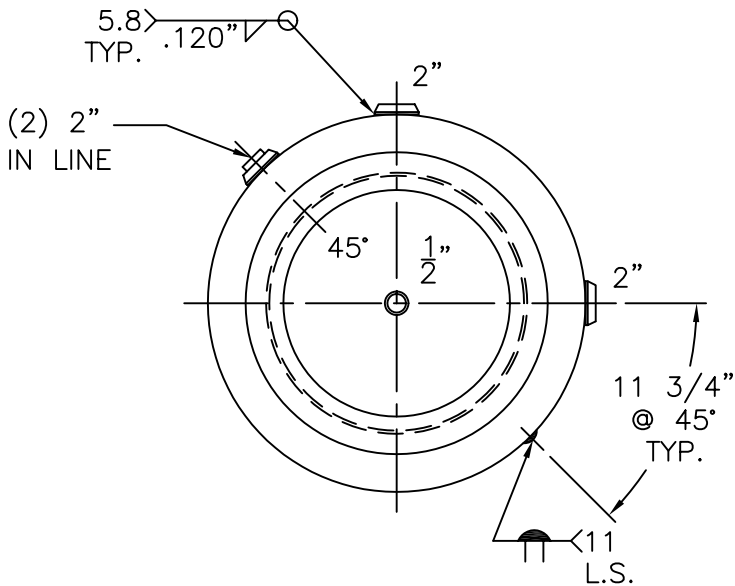


2"R W/ C.I. PLUG
INSP. OPENING
(2) PLC'S.



NOTE: 1) HYDRO @ 325 PSIG. MIN.

SHELL / HEADS	.179" SA-414-G 2:1 S.E.
JOGGLE	
	.207" SA-455
	(.205" MIN.)
M.A.W.P.	250 PSIG. @ 400 °F
M.D.M.T.	-20 °F @ 250 PSIG.
ASME SECTION VIII	DIV. 1, 2001 ADD 2003
X-RAY: RT-4 SPOT L.S. & HDS. G.S.	
GALLONS: 240	WT. 538 LBS.
SERIAL NO.	
N.B.	



30-VC-240-F	REV. 5-19-04
FOR: HANSON STANDARD	DATE: 7-19-85
VERT. AIR TANK	
INSIDE: UNPAINTED	
OUTSIDE: PRIME	
BY: J.G.	SCALE: 3/4"=12"
ROY F. HANSON JR. MFG.	
1924 COMPTON AVE.	
LOS ANGELES, CA 90011	