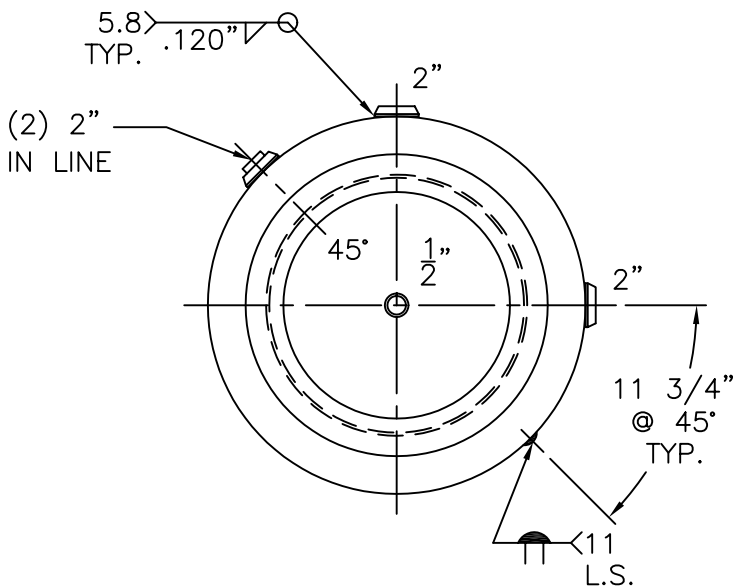


NOTE: 1) HYDRO @ 390 PSIG. MIN.

SHELL / HEADS	
.250" SA-455	2:1 S.E.
(.244" MIN.) JOGGLE	
.250" SA-455	
M.A.W.P.	300 PSIG. @ 400 °F
M.D.M.T.	-20 °F @ 300 PSIG.
ASME SECTION VIII	DIV. 1, 2001 ADD 2002
X-RAY: RT-4 SPOT L.S. NOT G.S.	
GALLONS: 240	WT. 690 LBS.
SERIAL NO.	
N.B.	



30-VD-240-F		REV. 8-13-03
FOR: HANSON STANDARD		DATE: 12-17-86
VERT. AIR TANK		
INSIDE:	UNPAINTED	
OUTSIDE:	PRIME	
BY: J.G.	SCALE: 3/4"=12"	
ROY F. HANSON JR. MFG.		
1924 COMPTON AVE.		
LOS ANGELES, CA 90011		