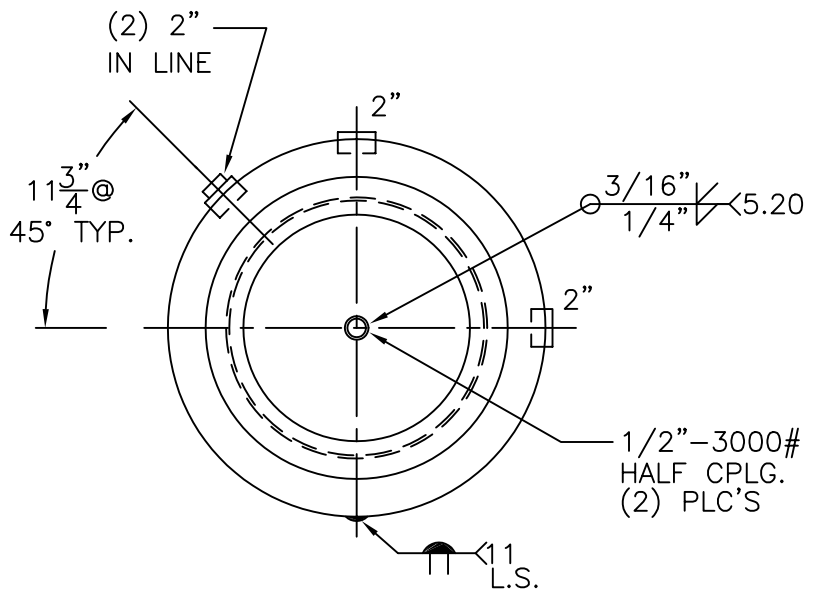
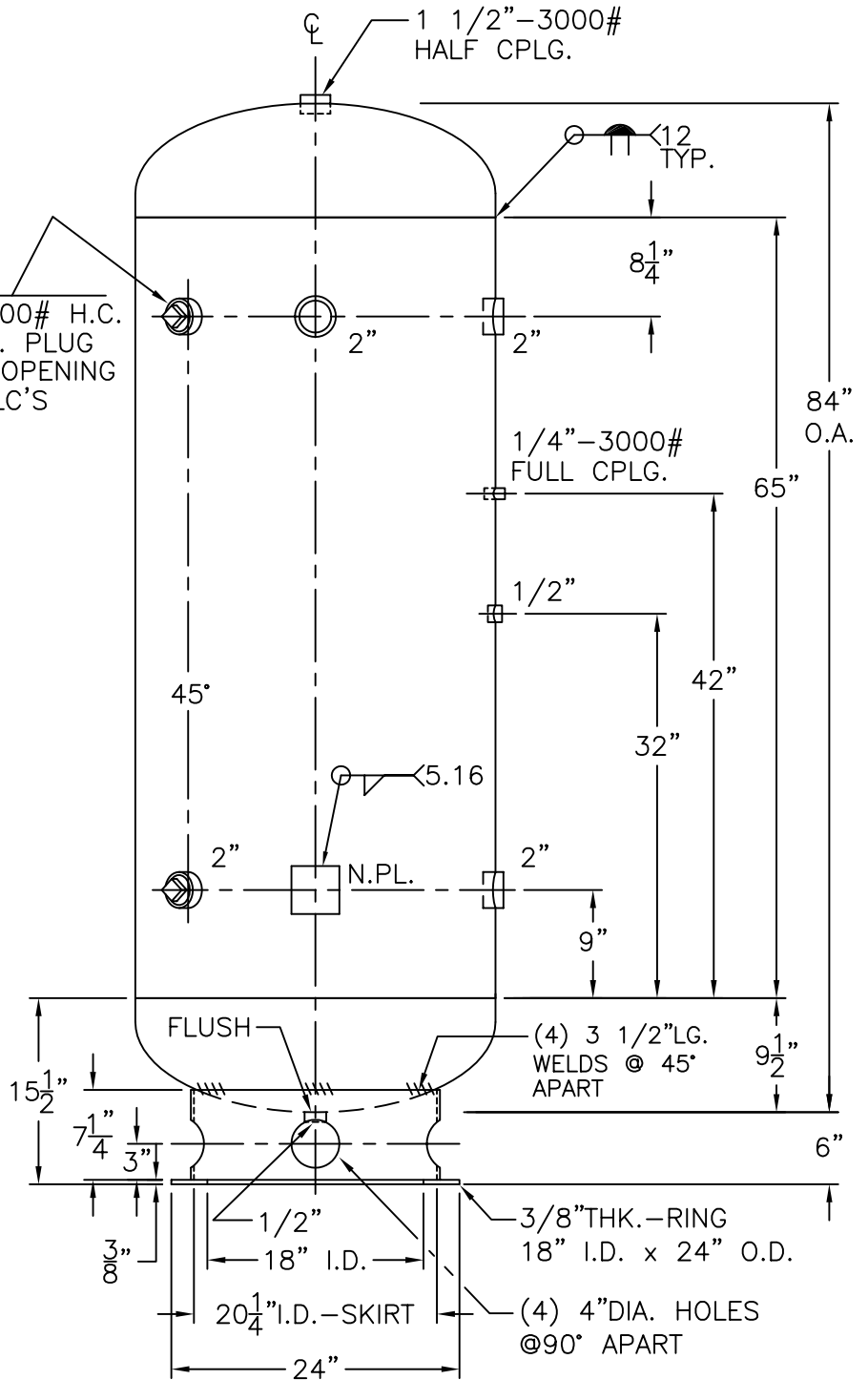


2"-3000# H.C. W/STL. PLUG INSP. OPENING (2) PLC'S



NOTE: 1) HYDRO @ 532 PSIG. MIN. 2) WELDS TO, OR JOINING SA-612 HAVE W.P.S. W/SUFFIX "B"

SHELL / HEADS	
.260" SA-612	2:1 S.E.
JOGGLED	
.337" SA-455	
M.A.W.P.	400 PSIG. @ 400 °F
M.D.M.T.	-20 °F @ 400 PSIG.
ASME SECTION VIII	DIV. 1, 2001 ADD 2002
X-RAY: RT-4 SPOT L.S. & HEAD G.S.	
GALLONS: 240	WT. 823 LBS.
SERIAL NO.	
N.B.	

30-VJ-240-F	REV. 7-30-03
FOR: HANSON STANDARD	DATE: 7-22-85
VERT. AIR TANK	
INSIDE: UNPAINTED	
OUTSIDE: PRIME	
CAD-"B" SIZE UNDER "STD"-SERIES	
BY: J.G.	SCALE: 3/4"=12"
ROY F. HANSON JR. MFG.	
1924 COMPTON AVE.	
LOS ANGELES, CA 90011	