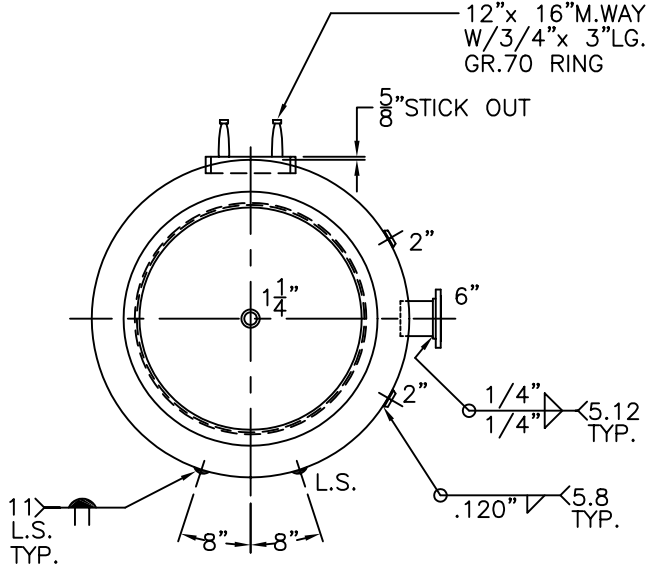
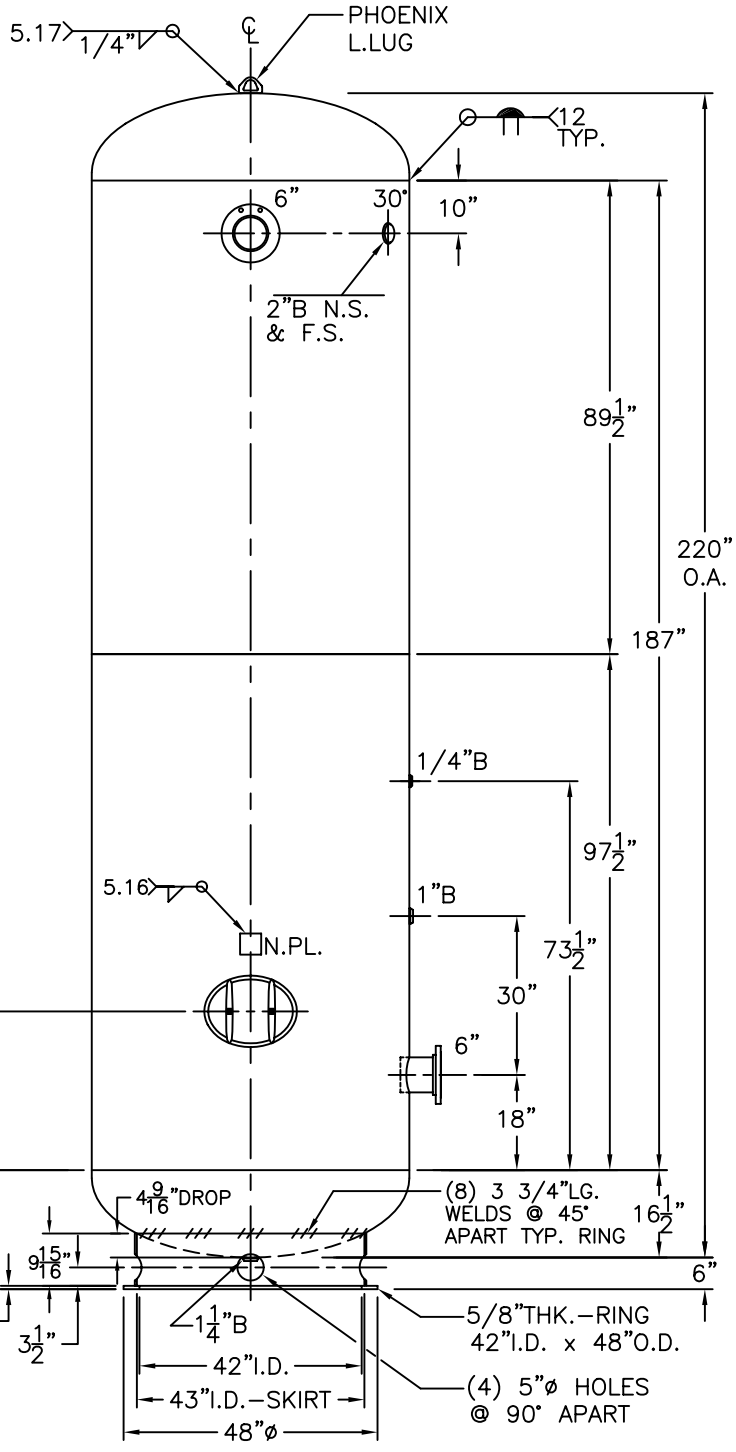


6"-150# R.F.S.O.  
 FLG. W/SCH 80  
 PIPE x 7 5/8"LG.  
 (2) PLC'S



NOTE: 1) HYDRO @ 163 PSIG. MIN.

SHELL / HEADS	
.248" SA-455	2:1 S.E.
(.205"MIN.)	
.250" SA-455	
M.A.W.P.	125 PSIG. @ 400 °F
M.D.M.T.	-20 °F @ 125 PSIG.
ASME SECTION VIII	DIV. 1, 2001 ADD 2002
X-RAY:	RT-NO
GALLONS:	2520
SERIAL NO.	WT. 3544 LBS.
N.B.	
<b>60-VG-2520-F</b>	
FOR: HANSON STANDARD	REV. 12-11-02
VERT. AIR TANK	DATE: 2-12-80
INSIDE: UNPAINTED	
OUTSIDE: PRIME	
CAD "B" SIZE UNDER "STD"-SERIES	
BY: J.G.	SCALE: 1/2" = 12"
<b>ROY E. HANSON JR. MFG.</b>	
1924 COMPTON AVE.	
LOS ANGELES, CA 90011	