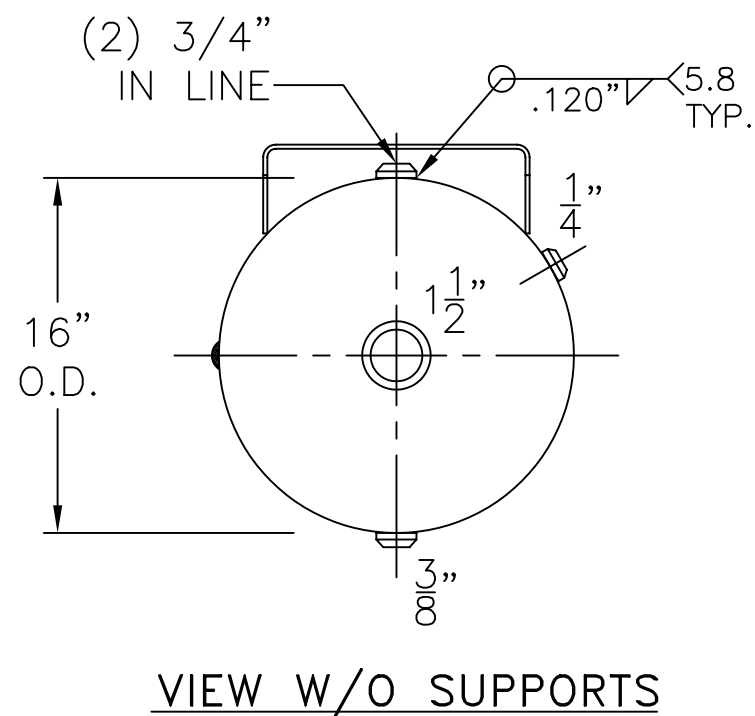
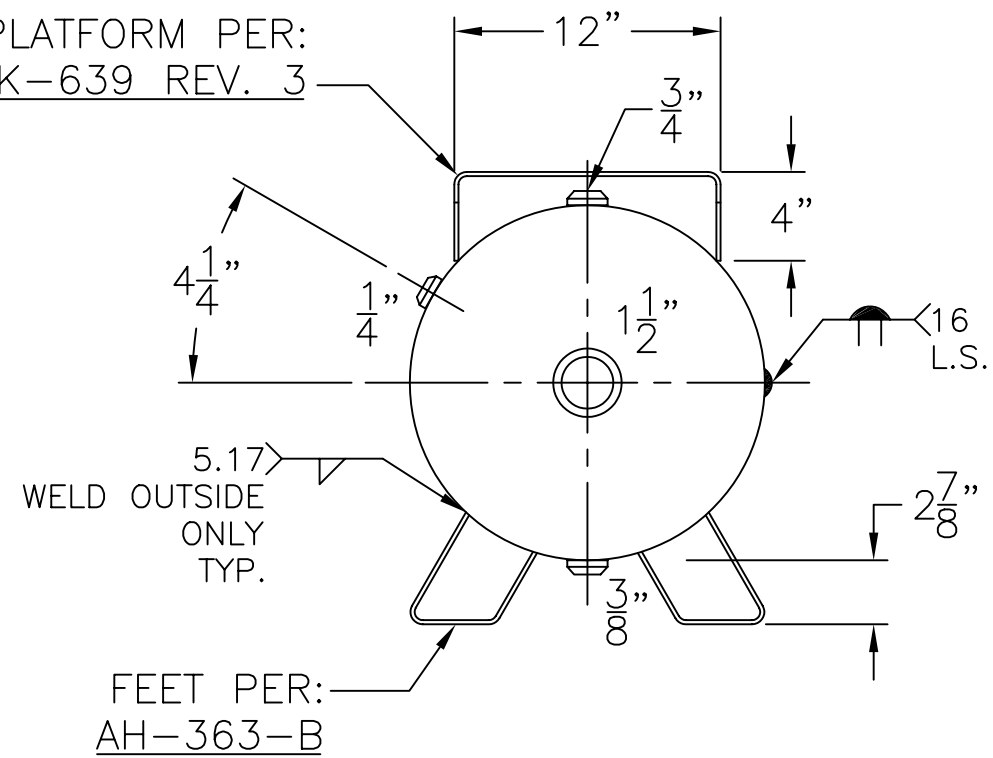


PLATFORM PER:
SK-639 REV. 3



NOTE: 1) HYDRO @ 391 PSIG. MIN.

HEADS	.135" SA-414-G 2:1 S.E.	HD-30-FP	REV. 12-18-06
	JOGGLE - .159" OFFSET		DATE: 12-21-81
SHELL		FOR: HANSON STANDARD	
		HORIZ. AIR TANK	
	.164" SA-414-G		
		INSIDE: UNPAINTED	
	M.A.W.P. 300 PSIG. @ 400 °F		
	M.D.M.T. -20 °F @ 300 PSIG.	OUTSIDE: PRIME	
	ASME. SECTION VIII DIV. 1, 2004 ADD. 2006		
	X-RAY: RT-NO	BY: E.S.	SCALE: 1"=12"
	GALLONS: 30	WT. 137 LBS.	ROY E. HANSON JR. MFG. 1600 E. WASHINGTON BLVD. LOS ANGELES, CA 90021
	SERIAL NO.		