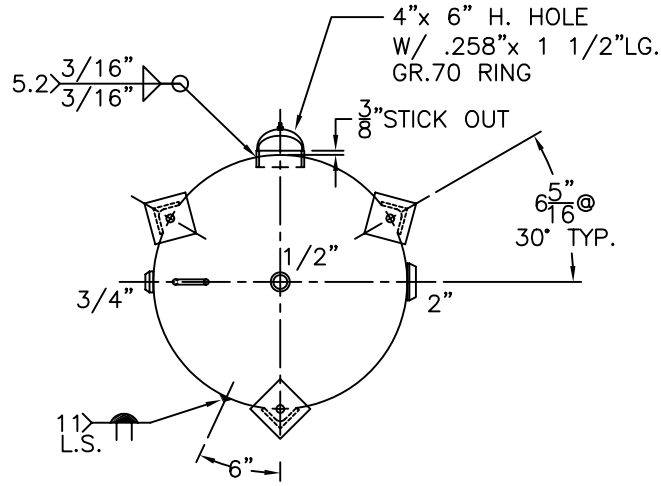


(3) 2 1/2" x 2 1/2" x 3/16" THK.  
x 17 1/16" LG. ANGLE LEGS  
(STOCK LEGS)

(3) 4" x 4" x 1/4" THK.  
PAD W/ 3/4" Ø HOLE



NOTE: 1) HYDRO @ 260 PSIG. MIN.

SHELL / HEADS		M.A.W.P. 200 PSIG. @ 300 °F	
.160" SA-414-G 2:1 S.E.		M.D.A.M.T. -20 °F @ 200 PSIG.	
JOGGLE		ASME SECTION VIII DIV. 1, 2001 ADD 2002	
.164" SA-414-G		X-RAY: RT-NO	
		GALLONS: 130	
		SERIAL NO. WT. 344 LBS.	
		N.B.	
INSIDE: GALVANIZED		1-24-VA-130-L	
OUTSIDE: GALVANIZED		FOR: HANSON STANDARD	
CAD-"B" SIZE UNDER "STD"-SERIES		VERT. AIR TANK	
LEG ZONE: 4-15 KM.		REV. 6-11-03	
BY: J.G.		DATE: 10-3-88	
SCALE: 1"=12"			
<b>ROY E. HANSON JR. MFG.</b>			
1924 COMPTON AVE.			
LOS ANGELES, CA 90011			