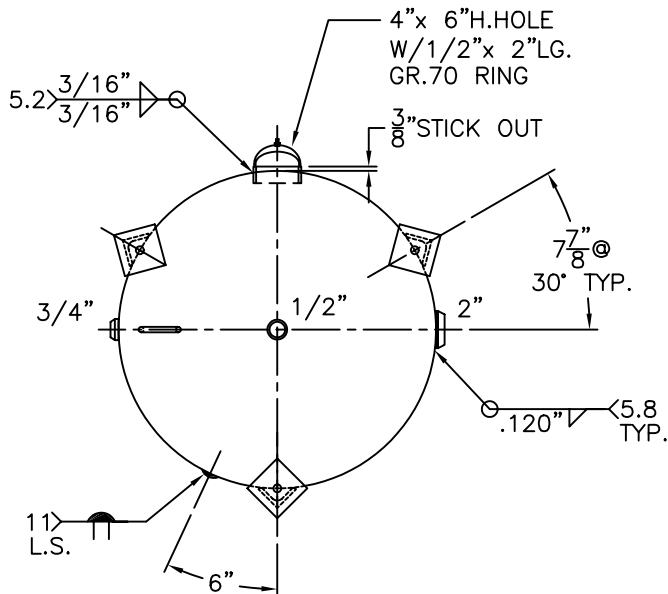


(3) 2 1/2" x 2 1/2" x 3/16" THK. 20" LG. ANGLE LEGS (STOCK LEGS)

(3) 4" x 4" x 1/4" THK. PAD W/ 3/4" Ø HOLE



NOTE: 1) HYDRO @ 260 PSIG. MIN.

SHELL / HEADS		M.A.W.P. 200 PSIG. @ 300 °F	
.179" SA-414-G 2:1 S.E.		M.D.M.T. -20 °F @ 200 PSIG.	
JOGGLE		ASME SECTION VIII DIV. 1, 2001 ADD 2002	
.165" SA-414-G		X-RAY: RT-4 SPOT L.S. NOT G.S.	
		GALLONS: 200 WT. 419 LBS.	
		SERIAL NO.	
		N.B.	
INSIDE: GALVANIZED		I-30-VA-200-L	
OUTSIDE: GALVANIZED		FOR: HANSON STANDARD	
CAD-"B" SIZE UNDER "STD"-SERIES		VERT. AIR TANK	
LEG ZONE: 4-15 KM.		REV. 6-13-03	
BY: J.G.		DATE: 8-26-96	
SCALE: 1"=12"			
<b>ROY E. HANSON JR. MFG.</b>			
1924 COMPTON AVE.			
LOS ANGELES, CA 90011			