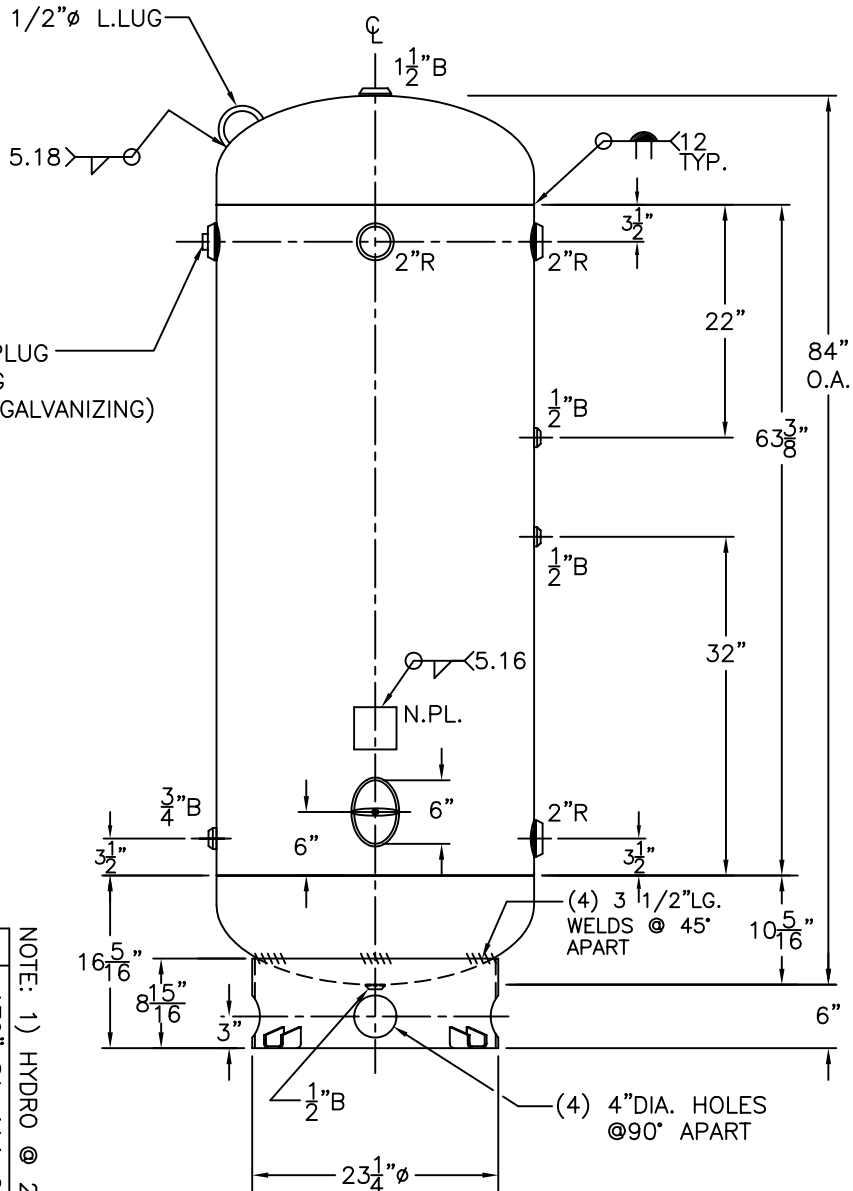


2"R W/ C.I. PLUG
INSP. OPENING
(PLUG AFTER GALVANIZING)



NOTE: 1) HYDRO @ 260 PSIG. MIN.

M.A.W.P.	200 PSIG. @ 300 °F
M.D.M.T.	-20 °F @ 200 PSIG.
ASME SECTION VIII	DIV. 1, 2001 ADD 2002
X-RAY:	RT-4 SPOT L.S. NOT G.S.
GALLONS:	240
WT.	493 LBS.
SERIAL NO.	
N.B.	
SHELL / HEADS	
JOGGLE	.179" SA-414-G 2:1 S.E.
	.165" SA-414-G

INSIDE:	GALVANIZED
OUTSIDE:	GALVANIZED
CAD-"B" SIZE UNDER "STD"-SERIES	
BY: J.G.	SCALE: 1"=12"
ROY E. HANSON JR. MFG.	
1924 COMPTON AVE.	
LOS ANGELES, CA 90011	
FOR: HANSON STANDARD	REV. 6-13-03
VERT. AIR TANK	DATE: 5-6-87
	1-30-VA-240-R

