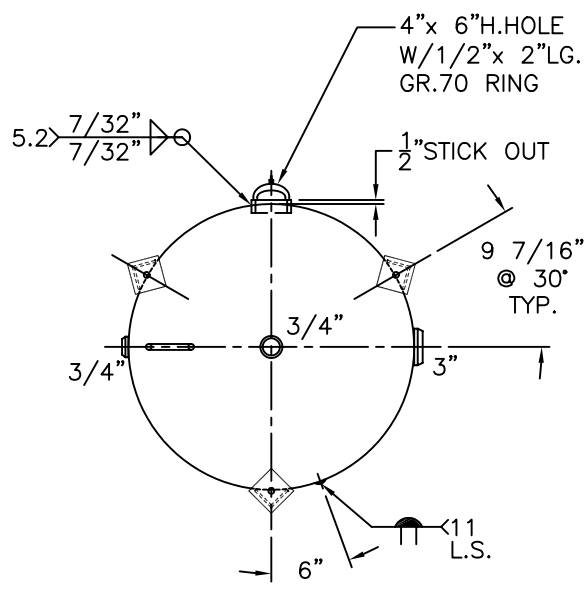


(3) 2 1/2" x 2 1/2" x 3/16" THK.  
x 23" LG. ANGLE LEGS (STOCK LEGS)

(3) 4" x 4" x 1/4" THK.  
PADS W/ 3/4"  $\phi$  HOLES



NOTE: 1) HYDRO @ 260 PSIG. MIN.

SHELL / HEADS		.210" SA-455 2:1 S.E.	
JOGGLE			
M.A.W.P.		200 PSIG. @ 300 °F	
M.D.M.T.		-20 °F @ 200 PSIG.	
ASME SECTION VIII		DIV. 1, 2001 ADD. 2002	
X-RAY: RT-4 SPOT L.S.			
GALLONS: 300		WT. 622 LBS.	
SERIAL NO.			
N.B.			
INSIDE: GALVANIZED		OUTSIDE: GALVANIZED	
VERT. AIR TANK		FOR: HANSON STANDARD	
		1-36-VA-300-L	
		REV. 6-9-03	
		DATE: 4-8-93	
		SCALE: 3/4" = 12"	
		BY: J.G.	
		CAD-"B" SIZE UNDER "STD"-SERIES	
		1924 COMPTON AVE.	
		LOS ANGELES, CA 90011	
		ROY E. HANSON JR. MFG.	