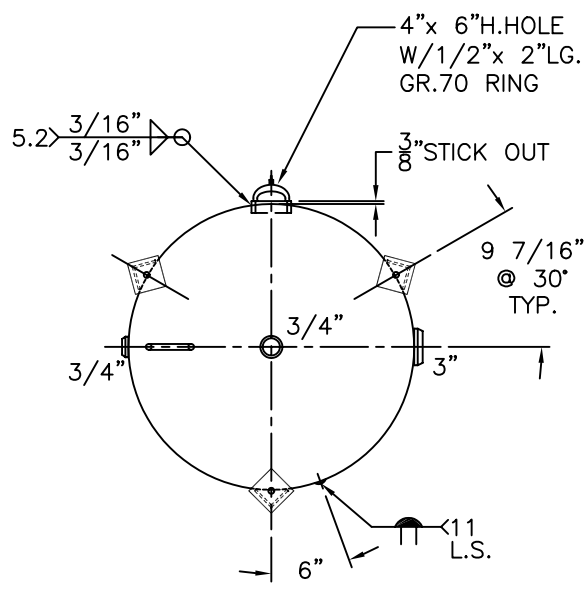


(3) 2 1/2" x 2 1/2" x 3/16" THK.
x 23 11/16" LG. ANGLE LEGS

(3) 4" x 4" x 1/4" THK.
PADS W/ 3/4" ϕ HOLES



NOTE: 1) HYDRO @ 215 PSIG. MIN.

SHELL / HEADS		.182" SA-455 2:1 S.E.	
M.A.W.P.		165 PSIG. @ 300 °F	
M.D.M.T.		-20 °F @ 165 PSIG.	
ASME SECTION VIII		DIV. 1, 2001 ADD. 2002	
X-RAY:		RT-4 SPOT L.S. ONLY	
GALLONS:		300 WT. 529 LBS.	
SERIAL NO.		N.B.	
INSIDE:		GALVANIZED	
OUTSIDE:		GALVANIZED	
CAD-"B" SIZE UNDER "STD"-SERIES		BY: J.G.	
SCALE: 3/4" = 12"		SCALE: 3/4" = 12"	
FOR: HANSON STANDARD		1-36-VM-300-L	
VERT. AIR TANK		REV. DATE: 6-18-03	
DATE: 6-18-03		DATE: 6-18-03	
DATE: 6-18-03		DATE: 6-18-03	

ROY E. HANSON JR. MFG.
1924 COMPTON AVE.
LOS ANGELES, CA 90011