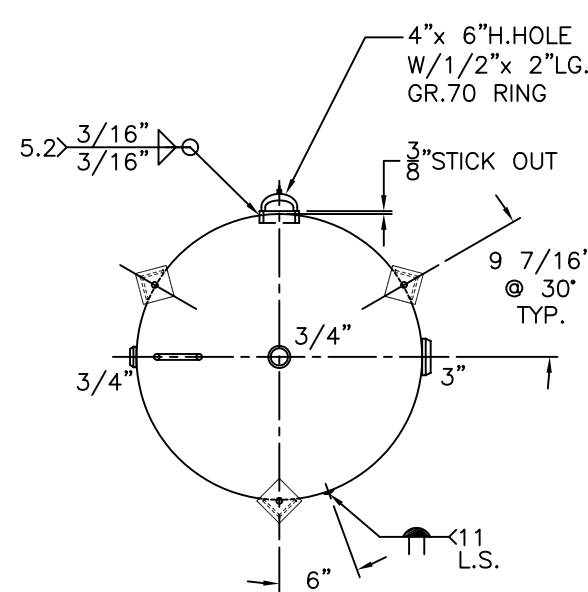


(3) 2 1/2" x 2 1/2" x 3/16" THK.  
x 23 11/16" LG. ANGLE LEGS

(3) 4" x 4" x 1/4" THK.  
PADS W/ 3/4" Ø HOLES



NOTE: 1) HYDRO @ 215 PSIG. MIN.

SHELL / HEADS	.182" SA-455 2:1 S.E.
JOGGLE	
M.A.W.P.	165 PSIG. @ 300 °F
M.D.M.T.	-20 °F @ 165 PSIG.
ASME SECTION VIII	DIV. 1, 2001 ADD. 2002
X-RAY:	RT-4 SPOT L.S. ONLY
GALLONS:	400 WT. 670 LBS.
SERIAL NO.	
N.B.	

1-36-VM-400-L	REV.
FOR: HANSON STANDARD	DATE: 6-18-03
VERT. AIR TANK	
INSIDE: GALVANIZED	
OUTSIDE: GALVANIZED	
CAD-"B" SIZE UNDER "STD"-SERIES	
LEG. ZONE: 4-15 KM.	
BY: J.G.	SCALE: 3/4" = 12"
<b>ROY E. HANSON JR. MFG.</b>	
1924 COMPTON AVE.	
LOS ANGELES, CA 90011	