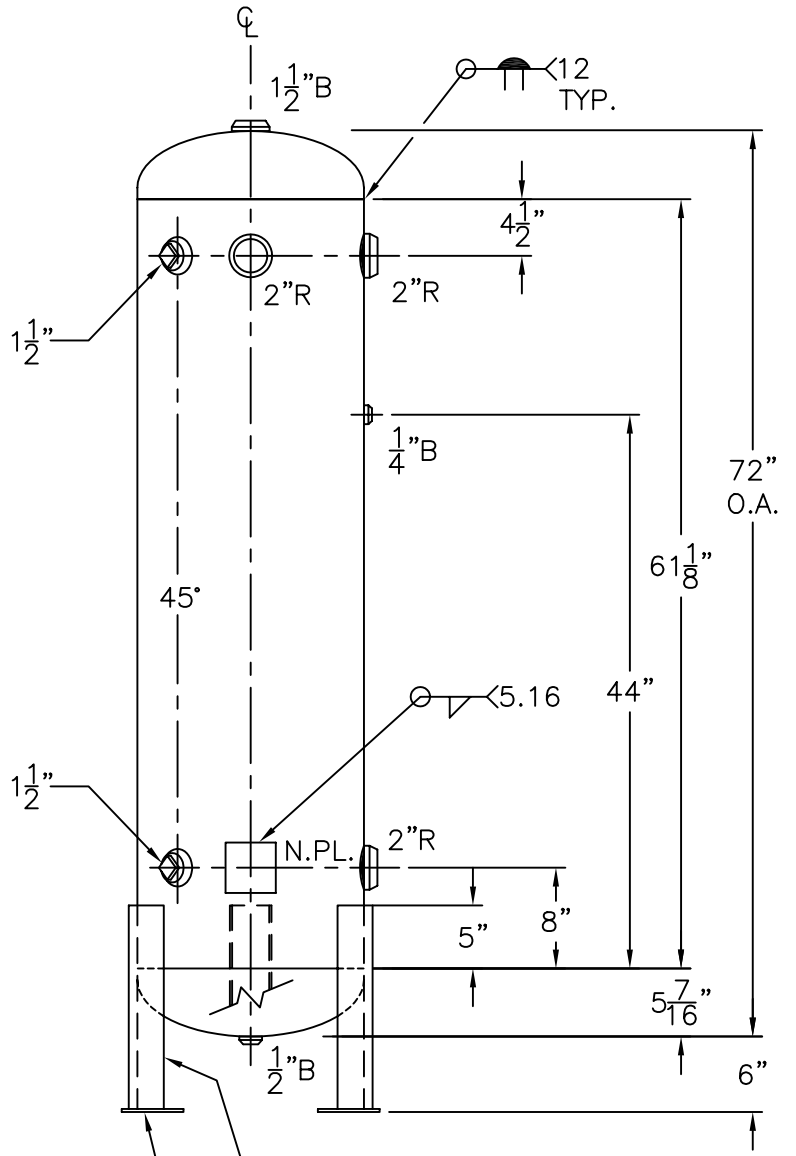


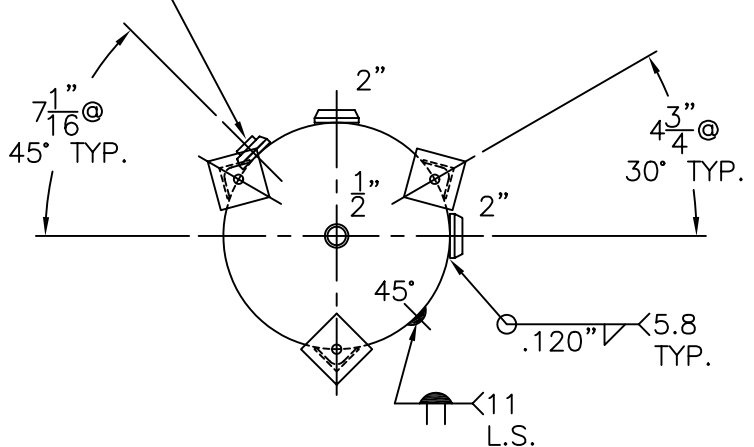
1 1/2" R W/ C.I. PLUG  
 INSP. OPENING  
 (2) PLC'S.



(3) 2 1/2" x 2 1/2" x 3/16" THK.  
 x 16 3/16" LG. ANGLE LEGS

(3) 4" x 4" x 1/4" THK.  
 PAD W/ 3/4" Ø HOLE

(2) 1 1/2"  
 IN LINE



NOTE: 1) HYDRO @ 260 PSIG. MIN.

SHELL / HEADS	
.156" SA-414-G	2:1 S.E.
JOGGLE	
.164" SA-414-G	
M.A.W.P.	200 PSIG. @ 400 °F
M.D.M.T.	-20 °F @ 200 PSIG.
ASME SECTION VIII	DIV. 1, 2001 ADD 2002
X-RAY:	RT-NO
GALLONS:	73
SERIAL NO.	WT. 225 LBS.
N.B.	

18-VA-73-L	REV. 8-14-03
FOR: HANSON STANDARD	DATE: 12-28-84
VERT. AIR TANK	
INSIDE: UNPAINTED	
OUTSIDE: PRIME	
LEG-ZONE 4-15 KM.	
BY: J.G.	SCALE: 3/4" = 12"
<b>ROY F. HANSON JR. MFG.</b>	
1924 COMPTON AVE.	
LOS ANGELES, CA 90011	