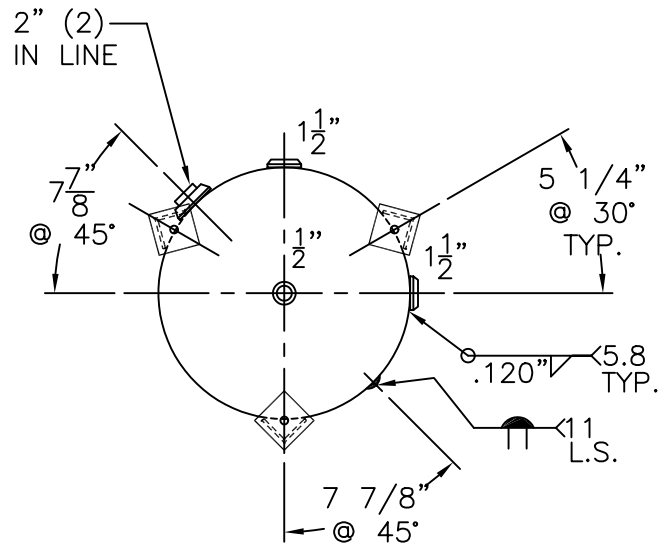


(3) 2 1/2" x 2 1/2" x 3/16" THK.  
x 18 5/16" LG. ANGLE LEGS

(3) 4" x 4" x 1/4" THK.  
PADS W/ 3/4" Ø HOLES



NOTE: 1) HYDRO @ 260 PSIG. MIN.

SHELL / HEADS	
.140" SA-414-G	2:1 S.E.
JOGGLE	
.140" SA-414-G	
M.A.W.P.	200 PSIG. @ 400 °F
M.D.M.T.	-20 °F @ 200 PSIG.
ASME: SECTION VIII	DIV. 1, 2001 ADD 2002
X-RAY:	RT-NO
GALLONS:	80
SERIAL NO.	WT. 201 LBS.
N.B.	

20-VA-80-1	REV. 6-20-03
FOR: HANSON STANDARD	DATE: 3-11-91
VERT. AIR TANK	
INSIDE: UNPAINTED	
OUTSIDE: PRIME	
LEG ZONE: 4-15KM.	
BY: J.G.	SCALE: 3/4"=12"
<b>ROY F. HANSON JR. MFG.</b>	
1924 COMPTON AVE.	
LOS ANGELES, CA 90011	