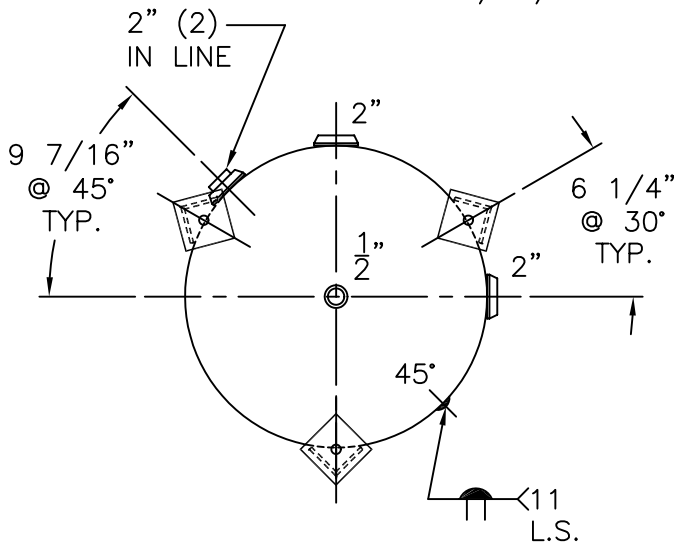


(3) 2 1/2" x 2 1/2" x 3/16" THK. x 18 1/16" LG. ANGLE LEG

(3) 4" x 4" x 1/4" THK. PAD W/ 3/4" Ø HOLE



NOTE: 1) HYDRO @ 325 PSIG. MIN.

SHELL / HEADS	.164" SA-414-G 2.1: S.E.
JOGGLE	
	.200" SA-455
M.A.W.P.	250 PSIG. @ 400 °F
M.D.M.T.	-20 °F @ 250 PSIG.
ASME: SECTION VIII	DIV. 1, 2001 ADD 2002
X-RAY:	RT-NO
GALLONS:	120
SERIAL NO.	WT. 333 LBS.
N.B.	

24-VC-120-L	REV. 10-2-03
FOR: HANSON STANDARD	DATE: 6-12-84
VERT. AIR TANK	
INSIDE: UNPAINTED	
OUTSIDE: PRIME	
LEG-ZONE 4-15 KM.	
BY: E.S.	SCALE: 3/4" = 12"
<b>ROY F. HANSON JR. MFG.</b>	
1924 COMPTON AVE.	
LOS ANGELES, CA 90011	