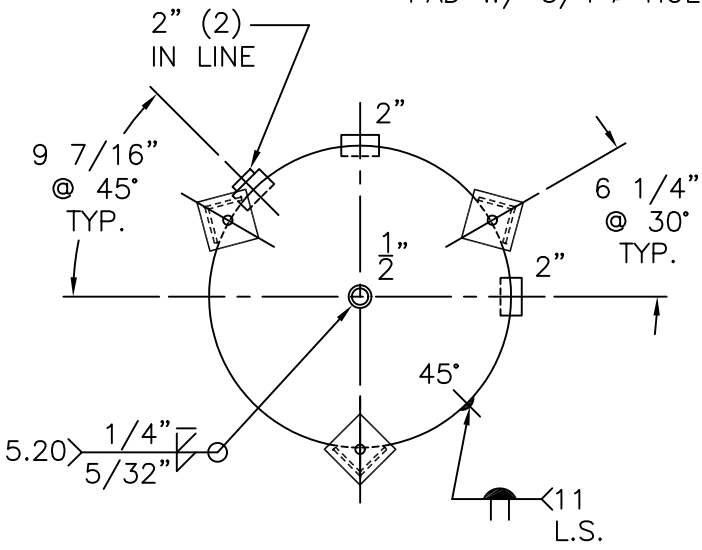


(3) 2 1/2" x 2 1/2" x 3/16" THK. x 18 7/16" LG. ANGLE LEG

(3) 4" x 4" x 1/4" THK. PAD W/ 3/4" Ø HOLE



NOTE: 1) HYDRO @ 715 PSIG. MIN.

SHELL / HEADS	
.337" SA-455	2.1: S.E.
.375" SA-455	
M.A.W.P. 550 PSIG. @ 400 °F	
M.D.M.T. -20 °F @ 550 PSIG.	
ASME: SECTION VIII DIV. 1, 2001 ADD 2002	
X-RAY: RT-4 SPOT L.S. & HEADS G.S.	
GALLONS: 120	WT. 614 LBS.
SERIAL NO.	
N.B.	

24-VK-120-L	REV. 7-8-03
FOR: HANSON STANDARD	DATE: 4-14-99
VERT. AIR TANK	
INSIDE: UNPAINTED	
OUTSIDE: PRIME	
LEG-ZONE 4-15 KM.	
BY: E.S.	SCALE: 3/4"=12"
ROY F. HANSON JR. MFG.	
1924 COMPTON AVE.	
LOS ANGELES, CA 90011	