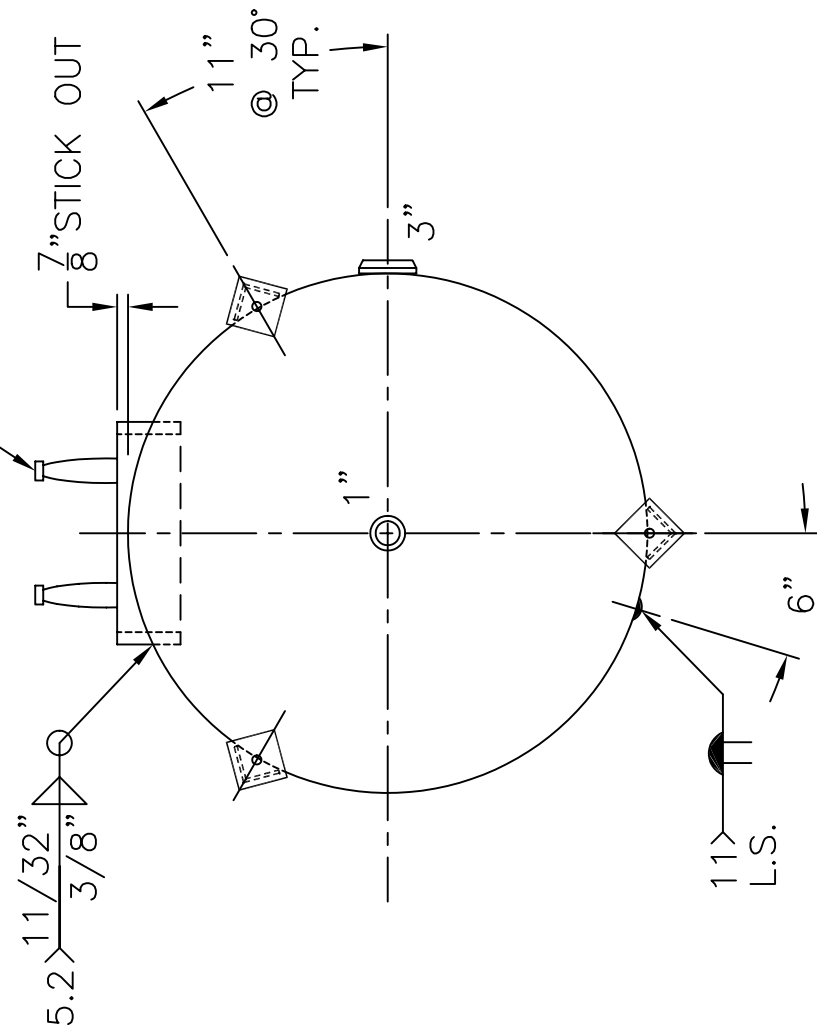


(3) 3" x 3" x 3/16" THK.
x 23 3/8" LG. ANGLE LEGS

(3) 4" x 4" x 3/8" THK.
PADS W/ 3/4" Ø HOLES

12" x 16" M.WAY
W/ 1" x 5" LG.
GR.70 RING



NOTE: 1) HYDRO @ 358 PSIG. MIN.

SHELL / HEADS	.288" SA-455 2:1 S.E.	42-VE-660-L	REV. 12-02-02
	(.267" MIN.) JOGGLE		DATE: 5-13-81
		FOR: HANSON STANDARD	
		VERT. AIR TANK	
	.337" SA-455		
		INSIDE: UNPAINTED	
M.A.W.P.	275 PSIG. @ 400 °F	OUTSIDE: PRIME	L-4-02
M.D.M.T.	-20 °F @ 275 PSIG.	CAD-"B" UNDER "STD"-SERIES	
ASME. SECTION VIII	DIV. 1, 2001 ADD. 2002	BY: E.S.	SCALE: 3/4" = 12"
X-RAY:	RT-4 SPOT L.S. & BOTH G.S.	ROY E. HANSON JR. MFG.	
GALLONS:	660	1924 COMPTON AVE.	
WT.	1758 LBS.	LOS ANGELES, CA 90011	
SERIAL NO.			
N.B.			