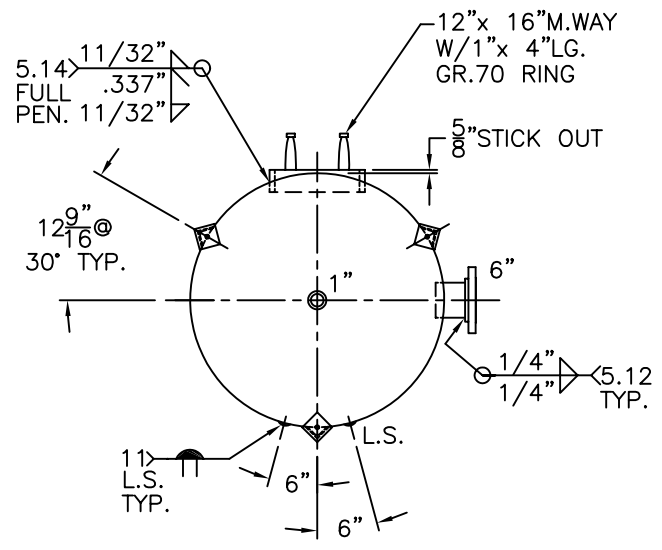


(3) 3" x 3" x 1/4" THK. x 25 11/16" LG. ANGLE LEGS

(3) 4" x 4" x 3/8" THK. PAD W/ 3/4" Ø HOLE



NOTE: 1) HYDRO @ 325 PSIG. MIN.

SHELL / HEADS		M.A.W.P. 250 PSIG. @ 400 °F	
.3125" SA-516-70 2:1 S.E. (.297" MIN.) JOGGLE		M.D.M.T. -20 °F @ 250 PSIG.	
.337" SA-455		ASME SECTION VIII DIV. 1, 2001 ADD 2003	
		X-RAY: RT-4 SPOT L.S. & HDS. G.S.	
		GALLONS: 1060 WT. 2466 LBS.	
		SERIAL NO.	
		N.B.	
48-VC-1060-L		REV. 4-7-04	
FOR: HANSON STANDARD		DATE: 6-24-99	
VERT. AIR TANK			
INSIDE: UNPAINTED			
OUTSIDE: PRIME			
CAD "B" SIZE UNDER "STD"-SERIES			
BY: J.G.		SCALE: 1/2" = 12"	
<b>ROY E. HANSON JR. MFG.</b>			
1924 COMPTON AVE.			
LOS ANGELES, CA 90011			