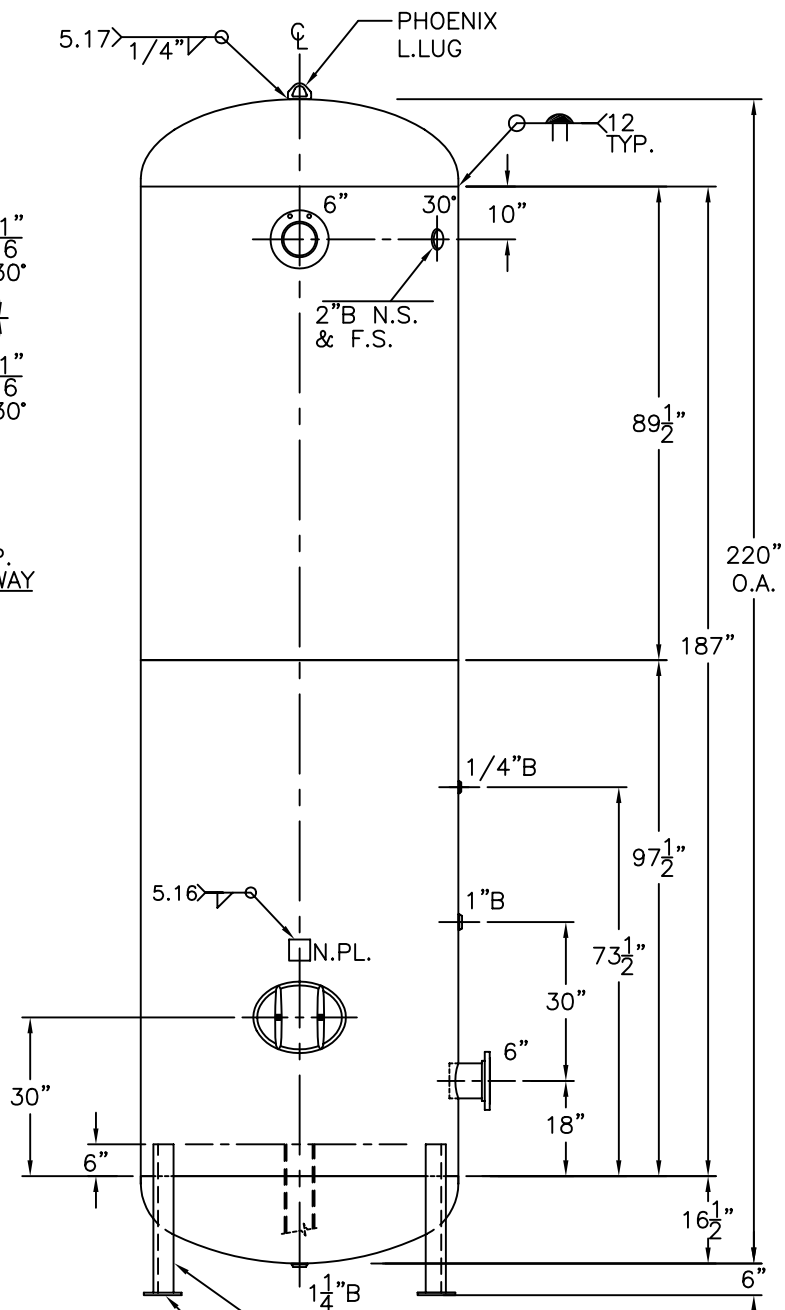
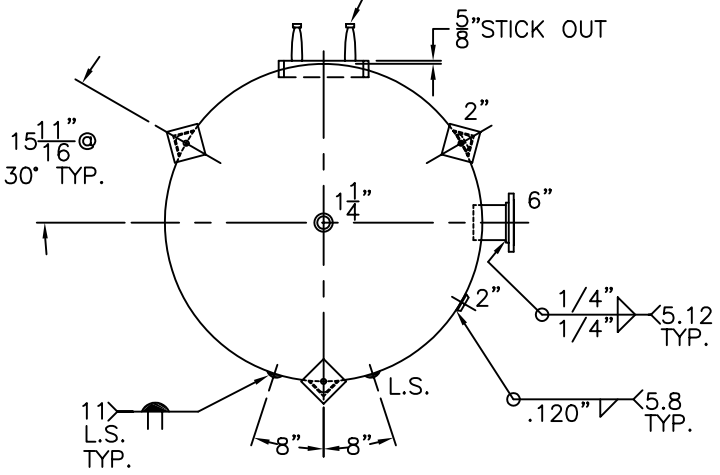


6"-150# R.F.S.O.
 FLG. W/SCH 80
 PIPE x 7 5/8"LG.
 (2) PLC'S



(3) 4" x 4" x 3/8"THK.
 x 28"LG. ANGLE LEGS
 (3) 6" x 6" x 1/2"THK.
 PADS W/1"Ø HOLE

12"x 16" M.WAY
 W/3/4"x 3"LG.
 GR.70 RING



NOTE: 1) HYDRO @ 163 PSIG. MIN.

SHELL / HEADS	
M.A.W.P.	125 PSIG. @ 400 °F
M.D.M.T.	-20 °F @ 125 PSIG.
ASME SECTION VIII	DIV. 1, 2001 ADD 2002
X-RAY:	RT-NO
GALLONS:	2520
SERIAL NO.	WT. 3435 LBS.
N.B.	
.248" SA-455 2:1 S.E. (.205"MIN.)	
.250" SA-455	
60-VG-2520-L	
FOR: HANSON STANDARD	REV. 12-6-02
VERT. AIR TANK	DATE: 2-8-92
INSIDE: UNPAINTED	
OUTSIDE: PRIME	
CAD "B" SIZE UNDER "STD"-SERIES	
BY: J.G.	SCALE: 1/2"=12"
ROY E. HANSON JR. MFG.	
1924 COMPTON AVE.	
LOS ANGELES, CA 90011	