

6"-150# R.F.S.O.
 FLG. W/SCH 80
 PIPE x 7 5/8"LG.
 (2) PLC'S

SHELL / HEADS		M.A.W.P. 150 PSIG. @ 400 °F	
.288" SA-455 2:1 S.E. (.246"MIN.)		M.D.M.T. -20 °F @ 150 PSIG.	
.250" SA-455		ASME SECTION VIII DIV. 1, 2001 ADD 2002	
		X-RAY: RT-4 SPOT L.S.	
		GALLONS: 2520	
		SERIAL NO. WT. 3525 LBS.	
		N.B.	
60-VP-2520-L		REV. 12-6-02	
FOR: HANSON STANDARD		DATE: 2-8-80	
VERT. AIR TANK			
INSIDE: UNPAINTED			
OUTSIDE: PRIME			
CAD "B" SIZE UNDER "STD"-SERIES			
BY: J.G.		SCALE: 1/2"=12"	
ROY E. HANSON JR. MFG.			
1924 COMPTON AVE.			
LOS ANGELES, CA 90011			

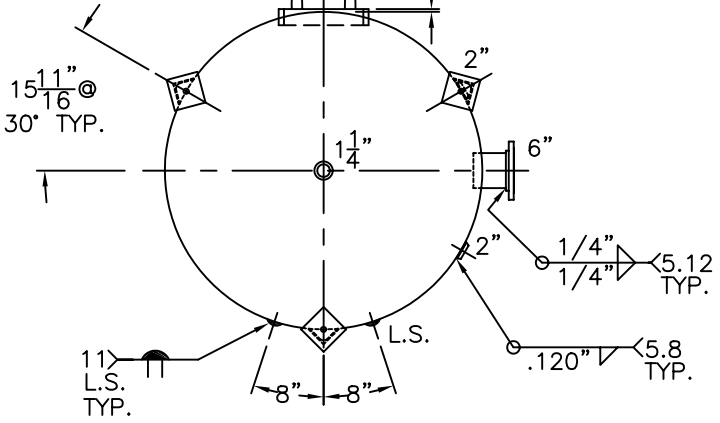
NOTE: 1) HYDRO @ 195 PSIG. MIN.

(3) 4" x 4" x 3/8"THK.
 x 28 1/4"LG. ANGLE LEGS

(3) 6" x 6" x 1/2"THK.
 PADS W/1"Ø HOLE

12"x. 16"M.WAY
 W/1"x 3"LG.
 GR.70 RING

9/16"STICK OUT



1924 COMPTON AVE.
 LOS ANGELES, CA 90011