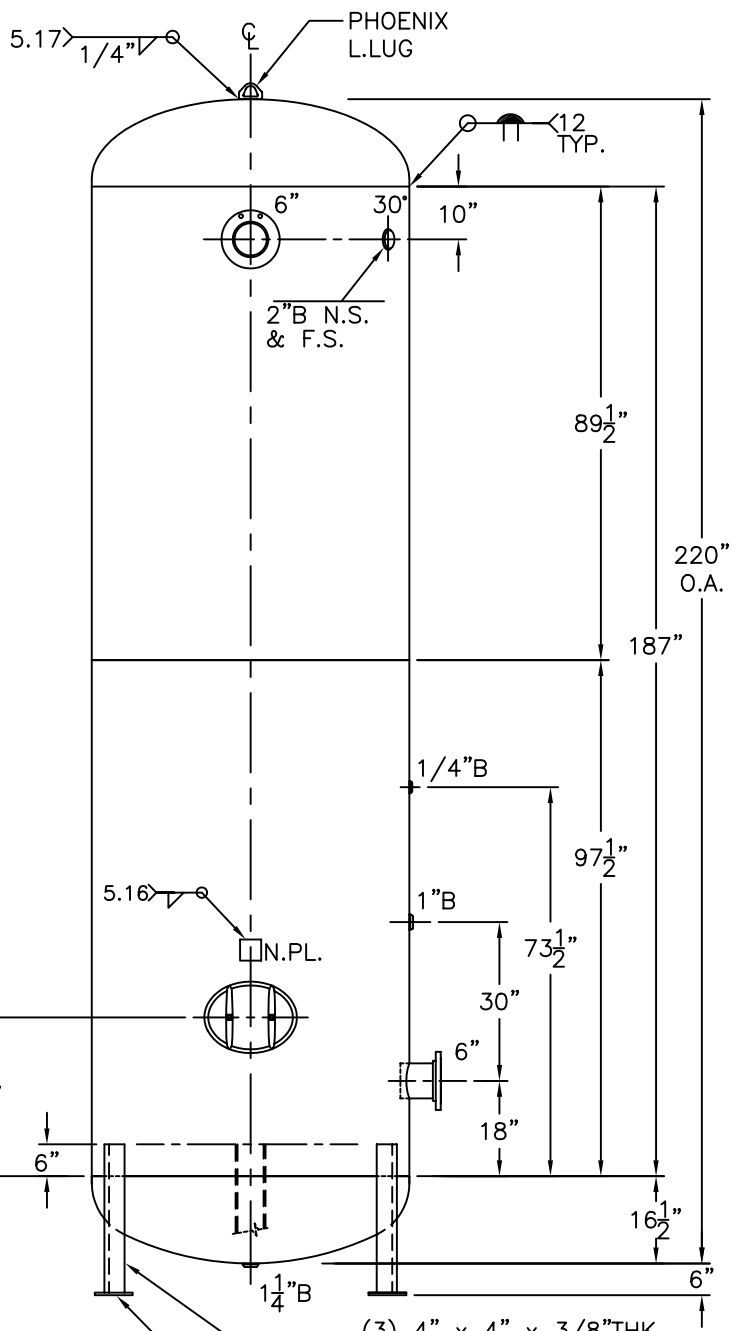


6"-150# R.F.S.O.  
 FLG. W/SCH 80  
 PIPE x 7 5/8"LG.  
 (2) PLC'S

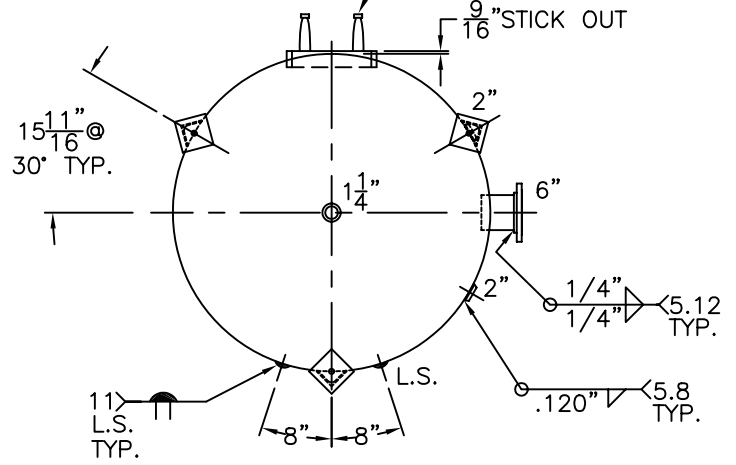


(3) 4" x 4" x 3/8"THK.  
 x 28"LG. ANGLE LEGS

(3) 6" x 6" x 1/2"THK.  
 PADS W/1"Ø HOLE

12"x 16" M.WAY  
 W/1"x 3"LG.  
 GR.70 RING

9/16" STICK OUT



NOTE: 1) HYDRO @ 179 PSIG. MIN.

SHELL / HEADS	
M.A.W.P.	137 PSIG. @ 400 °F
M.D.M.T.	-20 °F @ 137 PSIG.
ASME SECTION VIII	DIV. 1, 2001 ADD 2002
X-RAY: RT-4 SPOT L.S.	
GALLONS:	2520
SERIAL NO.	WT. 3445 LBS.
N.B.	
.248" SA-455 2:1 S.E. (.225"MIN.)	
.250" SA-455	
60-VQ-2520-L	
FOR: HANSON STANDARD	REV. 12-6-02
VERT. AIR TANK	DATE: 3-2-99
INSIDE: UNPAINTED	
OUTSIDE: PRIME	
CAD "B" SIZE UNDER "STD"-SERIES	
BY: J.G.	SCALE: 1/2" = 12"
<b>ROY E. HANSON JR. MFG.</b>	
1924 COMPTON AVE. LOS ANGELES, CA 90011	