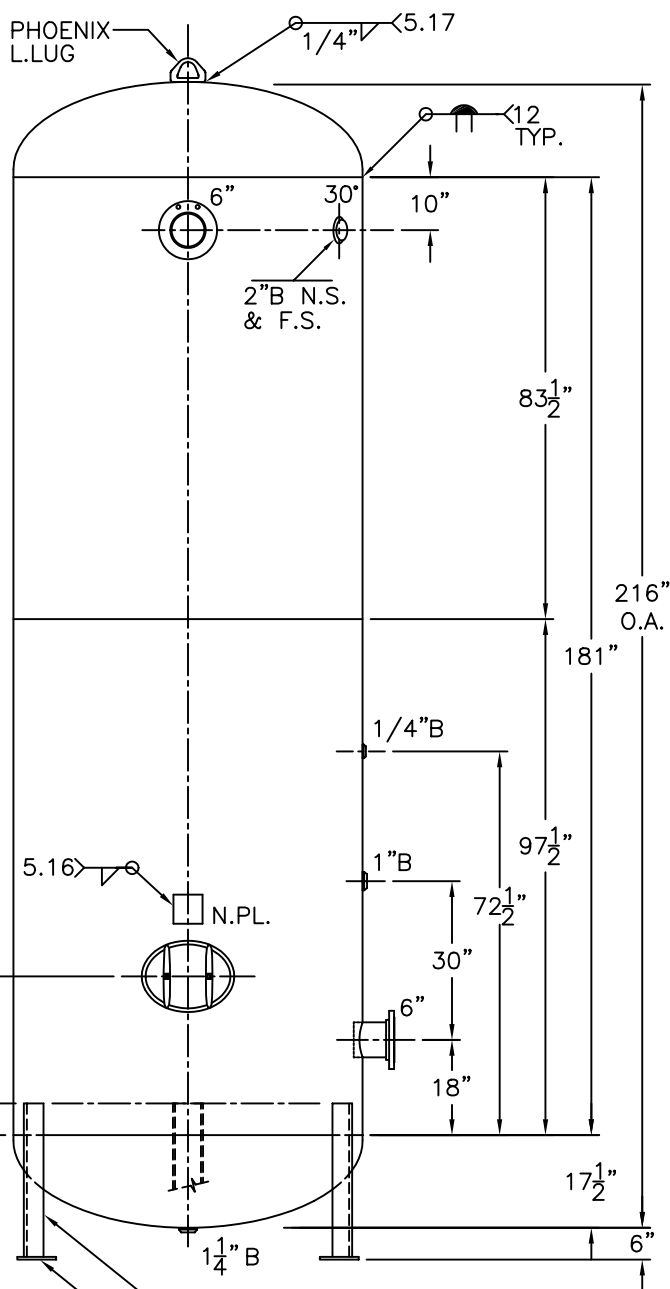


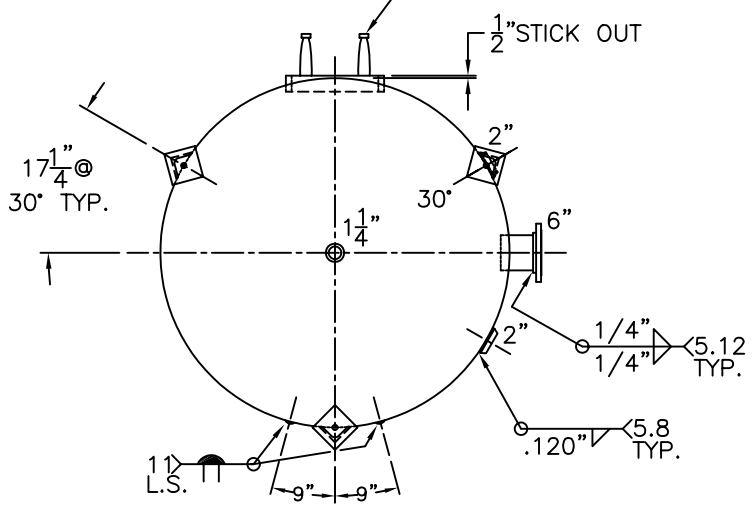
6"-150# R.F.S.O.
 FLG. W/SCH 80
 PIPE x 7 5/8"LG.
 (2) PLC'S



(3) 4"x 4" x 3/8"THK.
 x 29"LG. ANGLE LEGS

(3) 6"x 6"x 1/2"THK.
 PAD W/1"Ø HOLE

12"x 16" M.WAY
 W/1"x 3"LG.
 GR.70 RING



NOTE. 1) HYDRO @ 179 PSIG. MIN.

SHELL / HEADS	
M.A.W.P.	137 PSIG. @ 400 °F
M.D.M.T.	-20 °F 137 PSIG.
ASME. SECTION VIII	DIV. 1, 2001 ADD 2002
X-RAY:	RT-4 SPOT L.S. & HDS. G.S.
GALLONS:	3000 WT. 3768 LBS.
SERIAL NO.	
N.B.	

REDR. 12-6-02	DATE: 3-24-99
FOR: HANSON STANDARD	
VERT. AIR TANK	
INSIDE: UNPAINTED	
OUTSIDE: PRIME	
CAD "B" SIZE UNDER "STD"-SERIES	SCALE: 1/2"=12"
BY: J.G.	
ROY E. HANSON JR. MFG.	
1924 COMPTON AVE.	
LOS ANGELES, CA 90011	