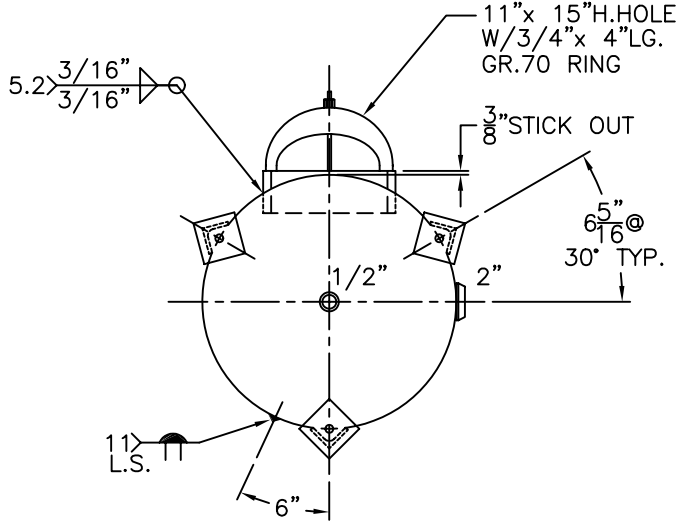


(3) 2 1/2" x 2 1/2" x 3/16" THK.
x 17 1/16" LG. ANGLE LEGS
(STOCK LEGS)

(3) 4" x 4" x 1/4" THK.
PAD W/ 3/4" Ø HOLE



NOTE: 1) HYDRO @ 260 PSIG. MIN.

SHELL / HEADS		M.A.W.P. 200 PSIG. @ 200 °F	
.160" SA-414-G 2:1 S.E.		M.D.M.T. -20 °F @ 200 PSIG.	
JOGGLE		ASME. SECTION VIII DIV. 1, 2001 ADD 2002	
.166" SA-414-G		X-RAY: RT-NO	
		GALLONS: 120	
		SERIAL NO.	
		N.B.	
0-24-VA-120-L		REV. 1-9-03	
FOR: HANSON STANDARD		DATE: 1-30-95	
VERT. AIR TANK			
SURFACE AREA = 35.9 SQ. FT.			
INSIDE: EPOXY LINED			
OUTSIDE: PRIME			
CAD-"B" SIZE UNDER "O"-SERIES			
BY: J.G.		SCALE: 1"=12"	
ROY E. HANSON JR. MFG.			
1924 COMPTON AVE.			
LOS ANGELES, CA 90011			