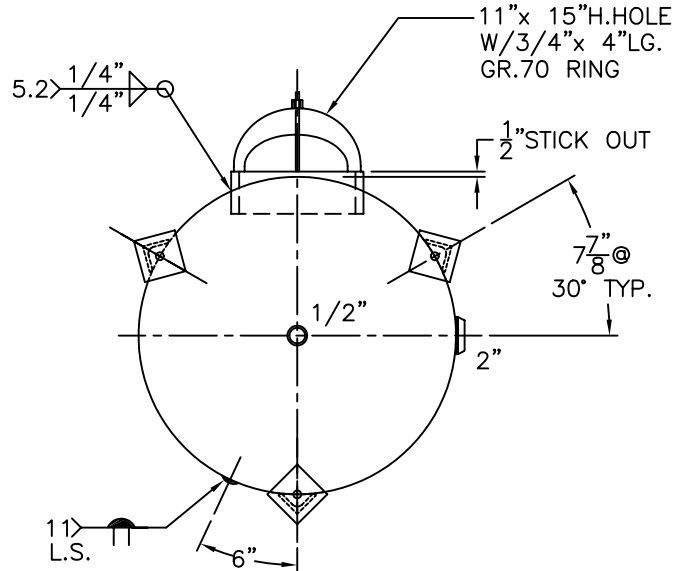


(3) 2 1/2" x 2 1/2" x 3/16" THK. 20" LG. ANGLE LEGS (STOCK LEGS)
 (3) 4" x 4" x 1/4" THK. PAD W/ 3/4" phi HOLE



NOTE: 1) HYDRO @ 325 PSIG. MIN.

SHELL / HEADS	
.250" SA-455	2:1 S.E.
JOGGLE	
.250" SA-455	
M.A.W.P.	250 PSIG. @ 200 °F
M.D.M.T.	-20 °F @ 250 PSIG.
ASME SECTION VIII	DIV. 1, 2001 ADD 2002
X-RAY:	RT-NO
GALLONS:	240
SERIAL NO.	WT. 690 LBS.
N.B.	

0-30-VC-240-L	REV. 1-9-03
FOR: HANSON STANDARD	DATE: 7-22-96
VERT. AIR TANK	
SURFACE AREA = 57.7 SQ. FT.	
INSIDE: EPOXY LINED	
OUTSIDE: PRIME	
CAD-"B" SIZE UNDER "O"-SERIES	
BY: J.G.	SCALE: 1"=12"
ROY E. HANSON JR. MFG.	
1924 COMPTON AVE.	
LOS ANGELES, CA 90011	