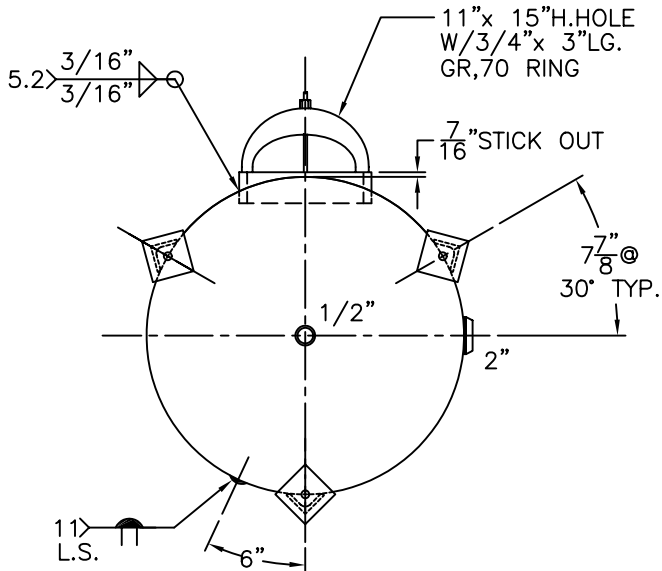


(3) 2 1/2" x 2 1/2" x 3/16" THK. 20" LG. ANGLE LEGS (STOCK LEGS)

(3) 4" x 4" x 1/4" THK. PAD W/ 3/4" Ø HOLE



NOTE: 1) HYDRO @ 179 PSIG. MIN.

SHELL / HEADS		M.A.W.P. 137 PSIG. @ 200 °F	
.166" SA-414-G 2:1 S.E.		M.D.M.T. -20 °F @ 137 PSIG.	
JOGGLE		ASME SECTION VIII DIV. 1, 2001 ADD 2002	
.165" SA-414-G		X-RAY: RT-NO	
		GALLONS: 240	
		SERIAL NO. WT. 476 LBS.	
		N.B.	
0-30-VQ-240-L		REV. 1-9-03	
FOR: HANSON STANDARD		DATE: 10-28-92	
VERT. AIR TANK			
SURFACE AREA = 58.0 SQ. SF.			
INSIDE: EPOXY LINED			
OUTSIDE: PRIME			
CAD-"B" SIZE UNDER "O"-SERIES			
BY: J.G.		SCALE: 1"=12"	
ROY E. HANSON JR. MFG.			
1924 COMPTON AVE.			
LOS ANGELES, CA 90011			