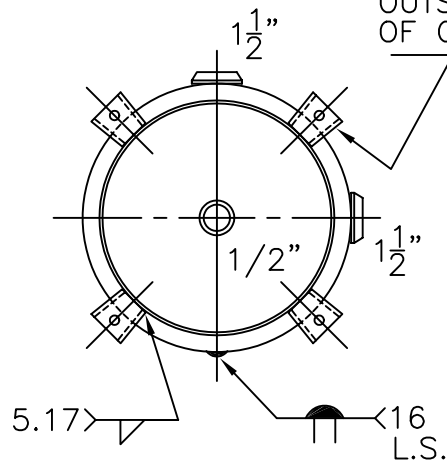


3/16" THK. CLIPS PER MA-395-B (4) PLC'S W 9/16" Ø HOLE ON 17 1/8" B.C.; WELD OUTSIDE VERT. EDGE OF CLIP ONLY



NOTE: 1) HYDRO @ 390 PSIG. MIN.

SHELL / HEADS	.135" SA-414-G 2:1 S.E.	16-VD-30-R	REV. 6-19-03
JOGGLE		FOR: HANSON STANDARD	DATE: 6-21-99
	.160" SA-414-G	VERT. AIR TANK	
M.A.W.P.	300 PSIG. @ 400 °F	INSIDE: UNPAINTED	
M.D.M.T.	-20 °F @ 300 PSIG.	OUTSIDE: PRIME	
ASME: SECTION VIII	DIV. 1, 2001 ADD 2002		
X-RAY: RT-NO		BY: J.G.	SCALE: 1"=12"
GALLONS: 30	WT. 103 LBS.	<b>ROY F. HANSON JR. MFG.</b>	
SERIAL NO.		1924 COMPTON AVE.	
N.B.		LOS ANGELES, CA 90011	