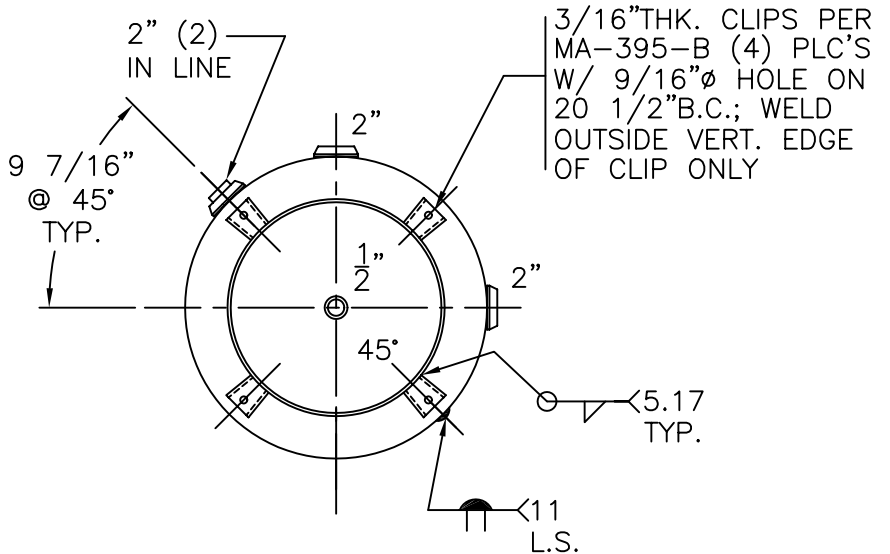
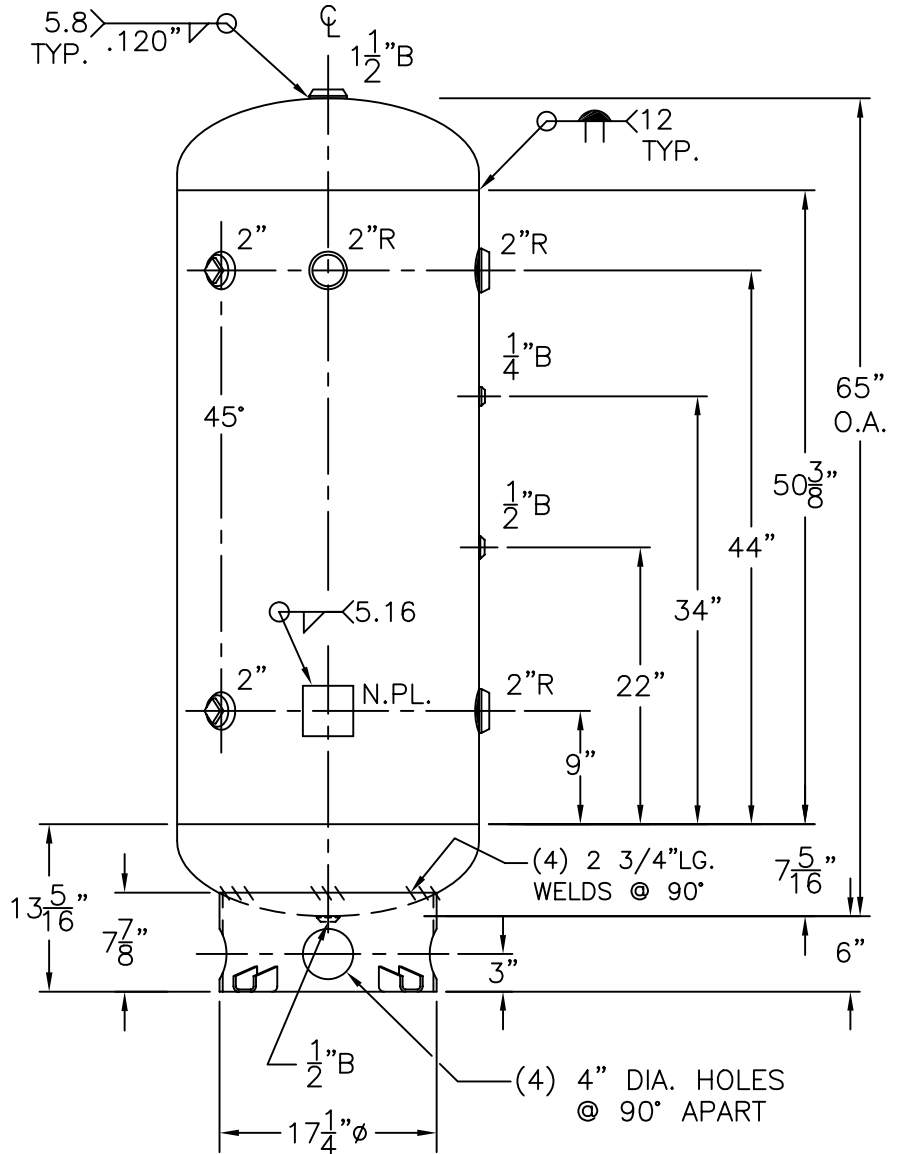


2"R W/ C.I. PLUG FOR INSPECTION OPENINGS (2) PLC'S.



3/16" THK. CLIPS PER MA-395-B (4) PLC'S W/ 9/16" Ø HOLE ON 20 1/2" B.C.; WELD OUTSIDE VERT. EDGE OF CLIP ONLY

NOTE: 1) HYDRO @ 325 PSIG. MIN.

| | | |
|--------------------|-----------------------|--------------------------|
| SHELL / HEADS | | .164" SA-414-G 2.1: S.E. |
| JOGGLE | | |
| .200" SA-455 | | |
| M.A.W.P. | 250 PSIG. @ 400 °F | |
| M.D.M.T. | -20 °F @ 250 PSIG. | |
| ASME: SECTION VIII | DIV. 1, 2001 ADD 2002 | |
| X-RAY: | RT-NO | |
| GALLONS: | 120 | WT. 339 LBS. |
| SERIAL NO. | | |
| N.B. | | |

| | | |
|-------------------------------|-------------------|---------------|
| 24-VC-120-R | | REV. 10-2-03 |
| FOR: HANSON STANDARD | | DATE: 7-24-89 |
| VERT. AIR TANK | | |
| INSIDE: UNPAINTED | | |
| OUTSIDE: PRIME | | |
| BY: E.S. | SCALE: 3/4" = 12" | |
| ROY F. HANSON JR. MFG. | | |
| 1924 COMPTON AVE. | | |
| LOS ANGELES, CA 90011 | | |