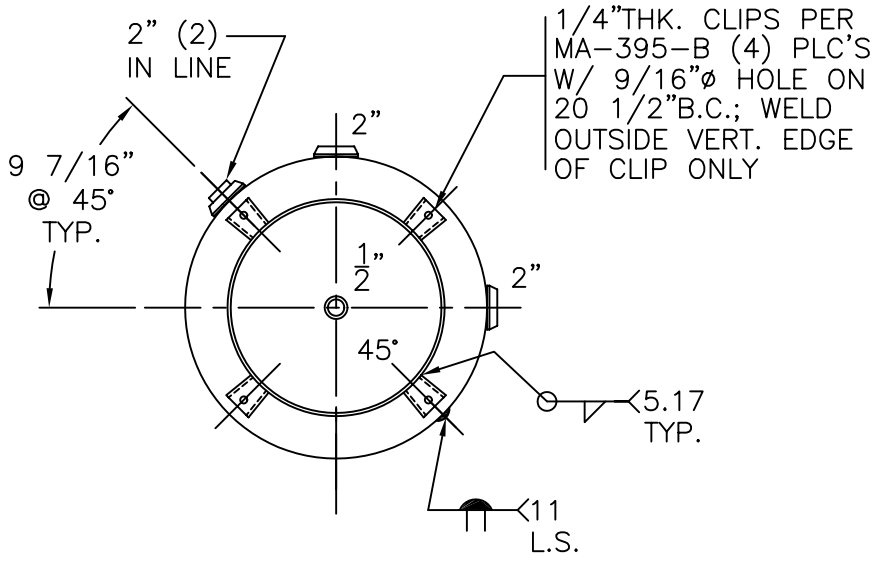
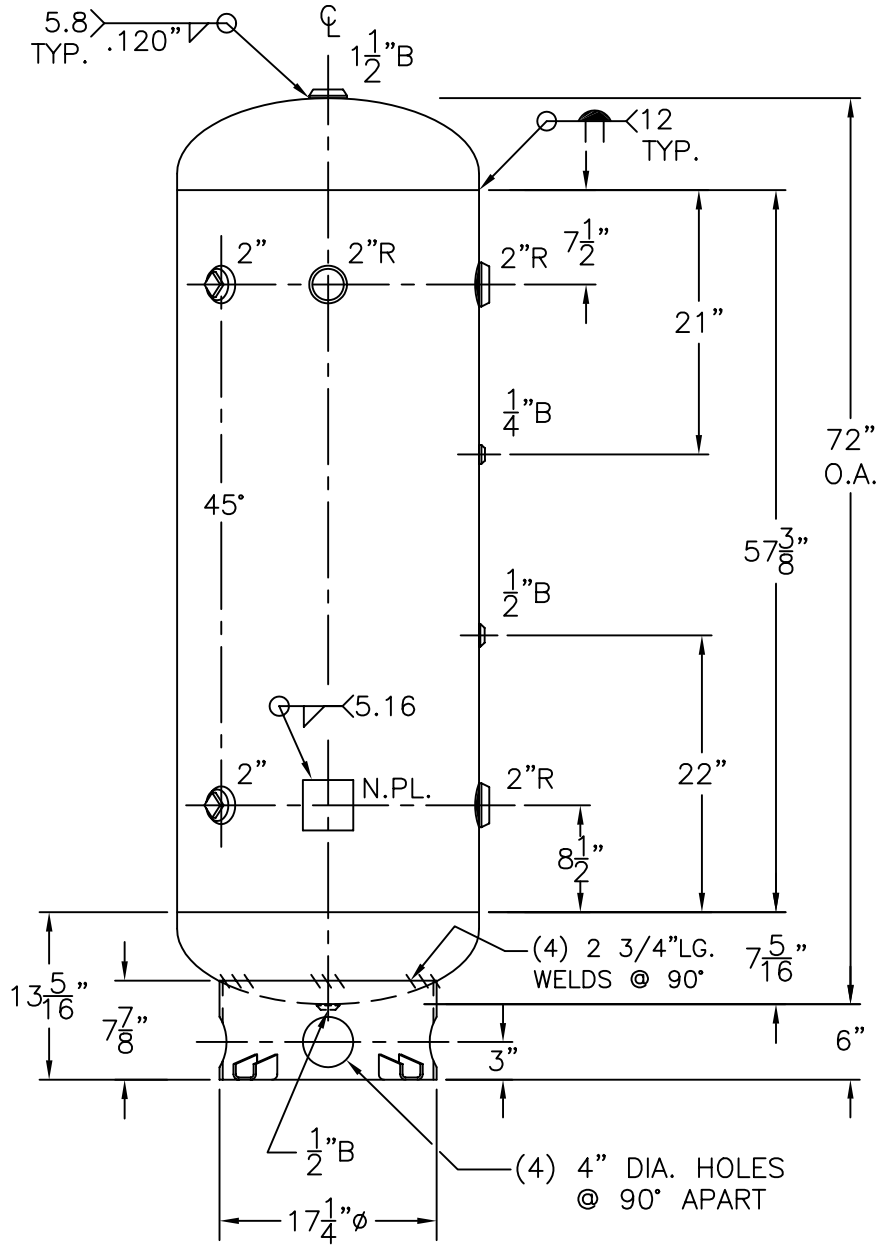


2"R W/ C.I. PLUG FOR INSPECTION OPENINGS (2) PLC'S.



1/4" THK. CLIPS PER MA-395-B (4) PLC'S W/ 9/16" Ø HOLE ON 20 1/2" B.C.; WELD OUTSIDE VERT. EDGE OF CLIP ONLY

NOTE: 1) HYDRO @ 325 PSIG. MIN.

SHELL / HEADS	
.166" SA-414-G	.164" SA-414-G 2.1: S.E.
M.A.W.P. 250 PSIG. @ 400 °F	M.D.M.T. -20 °F @ 250 PSIG.
ASME: SECTION VIII DIV. 1, 2001 ADD 2002	X-RAY: RT-4 SPOT L.S. ONLY
GALLONS: 130	WT. 314 LBS.
SERIAL NO.	N.B.

24-VC-130-R	REV. 7-24-03
FOR: HANSON STANDARD	DATE: 11-22-86
VERT. AIR TANK	
INSIDE: UNPAINTED	
OUTSIDE: PRIME	
BY: E.S.	SCALE: 3/4" = 12"
<b>ROY F. HANSON JR. MFG.</b>	
1924 COMPTON AVE.	
LOS ANGELES, CA 90011	