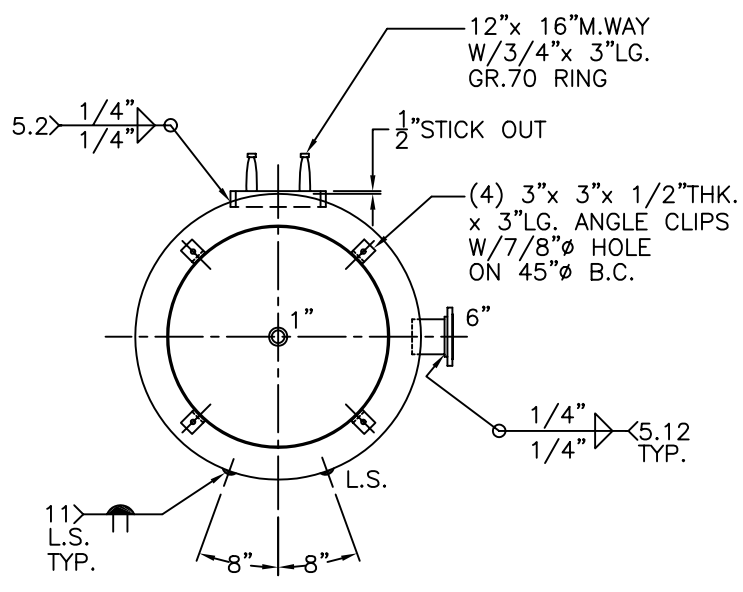
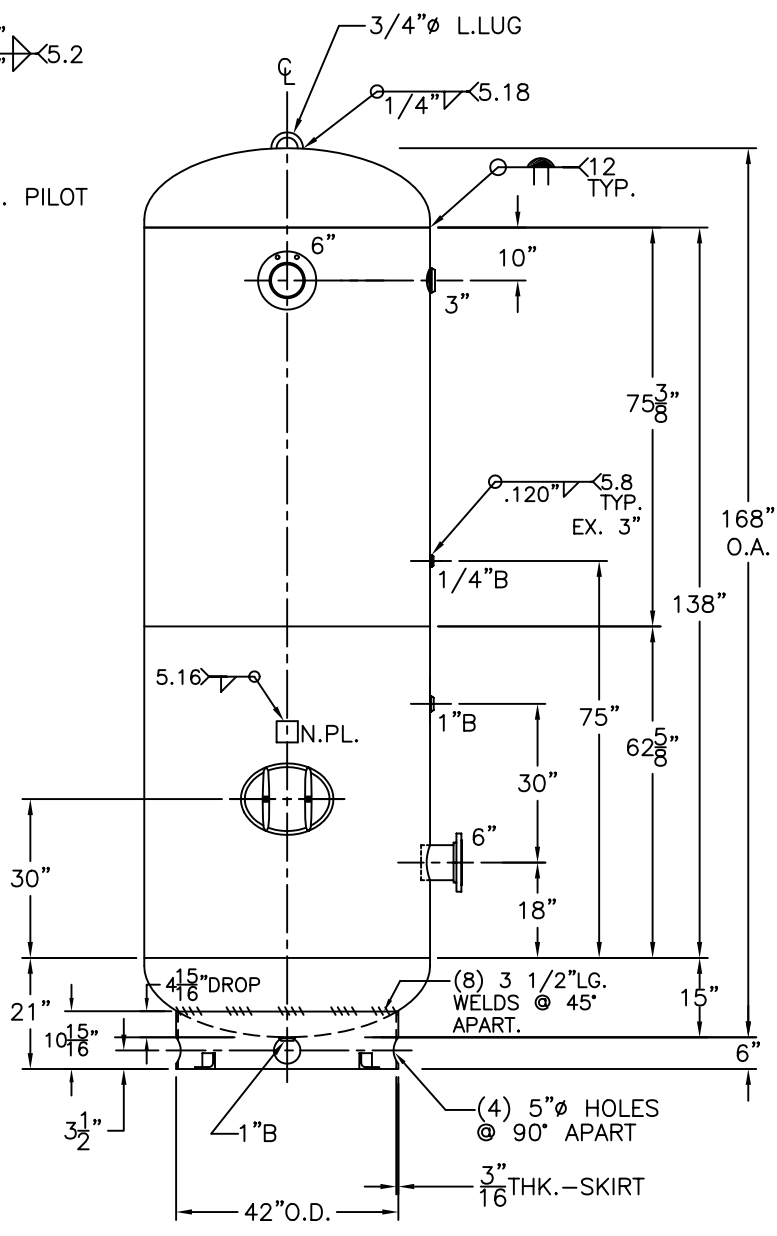


6" - 150# R.F.S.O.
 FLG. W/SCH 40
 PIPE x 7 9/16" LG.
 (2) PLC'S



NOTE: 1) HYDRO @ 163 PSIG. MIN.

SHELL / HEADS		.250" SA-516-70 2:1 S.E.	
JOGGLE			
.225" SA-455			
M.A.W.P.	125 PSIG. @ 400 °F	54-VG-1550-R	REV. 12-9-02
M.D.M.T.	-20 °F @ 125 PSIG.	FOR: HANSON STANDARD	DATE: 3-17-94
ASME SECTION VIII	DIV. 1, 2001 ADD 2002	VERT. AIR TANK	
X-RAY:	RT-NO	INSIDE: UNPAINTED	
GALLONS:	1550	OUTSIDE: PRIME	
SERIAL NO.		CAD "B" SIZE UNDER "STD"-SERIES	
N.B.		BY: J.G.	SCALE: 1/2" = 12"
		ROY E. HANSON JR. MFG.	
		1924 COMPTON AVE.	
		LOS ANGELES, CA 90011	