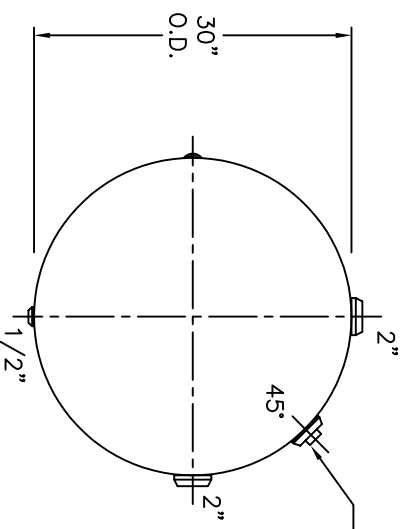


2"-R W/C.I. PLUG
INSP. OPENING
(2) PLC'S



VIEW W/OUT SUPT'S

NOTE: 1) HYDRO @ 390 PSIG. MIN.

SHELL / HEADS		.250" SA-455 2:1 S.E. (.244"MIN.) JOGGLE	
M.A.W.P.		300 PSIG. @ 400 °F	
M.D.M.T.		-20 °F @ 300 PSIG.	
ASME SECTION VIII		DIV. 1, 2001	
X-RAY:		RT-4 SPOT L.S. NOT G.S.	
GALLONS:		240 WT. 632 LBS.	
SERIAL NO.			
INSIDE:		UNPAINTED	
OUTSIDE:		PRIME	
CAD-"B" SIZE UNDER "STD"-SERIES		REV. 11-9-02	
BY: J.G.		DATE: 4-5-96	
SCALE: 1"=12"			
ROY E. HANSON JR. MFG.			
1924 COMPTON AVE.			
LOS ANGELES, CA 90011			

SUPPORTS PER:
MA-102-3-C

(2) 5/8" Ø HOLE